



Art.-Nr: AIE509CC-E
Exit sign Centralised power supply systems
Ceiling mounting, CoreCompact 24, CPS, 15 m, IP20, Zinc die-cast, Stainless steel

The AIE is a zinc-diecast exit sign for recessed ceiling mounting and for the marking of escape routes. It is part of a complete luminaire series, which features solutions for every mounting situation and was honored with the German Design Award. Luminaires of the A-Series are equipped with modern LED illuminants and offer flexibility with changeable pictograms.

LED exit sign according to EN 60598-1, EN 60598-2-22, EN 7010 and EN 1838



More information



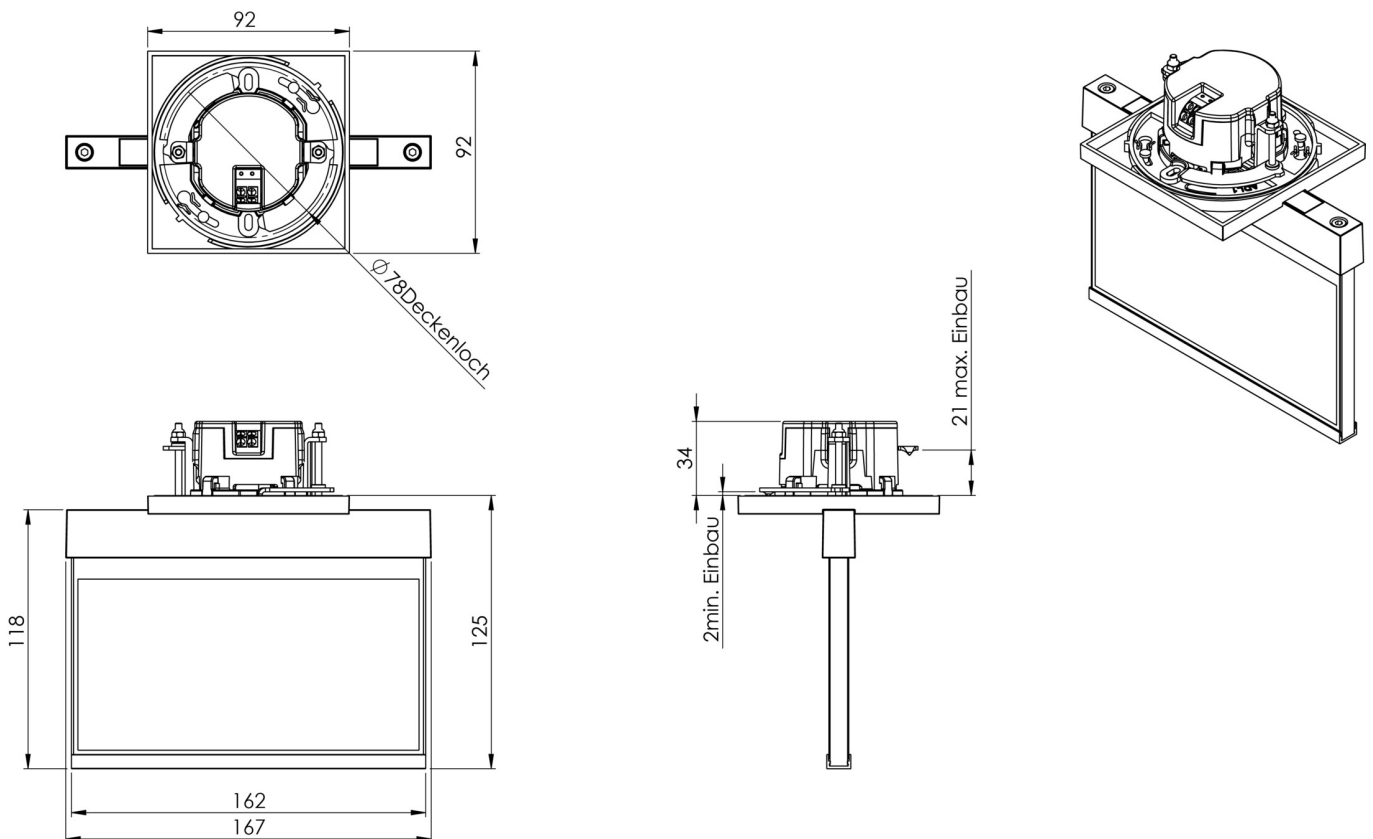
TECHNICAL DATA

Luminaire type	Exit sign
Mounting	Ceiling mounting
Recognition distance	15 m
Pictograph	Set
Illuminant	LED
Housing material	Zinc die-cast
Housing color	Stainless steel
Protection type (IP)	IP20
Impact resistance (IK)	≥ 3
Certification	WEEE, CE
Insulation class	2
Supply	Centralised power supply systems
Monitoring	CoreCompact 24
Bridging time	CPS
Operating mode	Standby circuit / permanent circuit
Input voltageAC	24 V
Power max.	1,7 W
Power DS	1,7 W
Power BS	0,4 W
Ambient temperature DS	-5 °C - 40 °C



Ambient temperature BS	-5 °C - 40 °C
Depth	92 mm
Width	167 mm
Height	159 mm
Installation dimensions Diameter	68 mm
Weight	0.9
Weight incl. packaging	1.15
Connection cross-section	2.5 mm ²
Switching input	No
Emergency light blocking	No
Battery connection	No
Dimming function	Yes
Customs tariff number	94056180
EAN	4260682156082

TECHNICAL DRAWING





RELATED PRODUCTS

Art.-No.	Image	Monitoring	Supply	Color	Investment	Automatic log	Maintenance level	Remote maintenance	max. luminaires	Single luminaire monitoring
AIE009ML		ML	Central power supply		€€€	Yes	low	Yes	1,920 per system	central
AIE009ML-AZ		ML	Central power supply		€€€	Yes	low	Yes	1,920 per system	central
AIE009ML-E		ML	Central power supply		€€€	Yes	low	Yes	1,920 per system	central
AIE509CC		CoreCompact 24	Central power supply		€€	Yes	low	Yes		central
AIE509CC-AZ		CoreCompact 24	Central power supply		€€	Yes	low	Yes		central

As of: 10.07.2024 - Subject to technical changes and errors.