



Art.-Nr: AMCC401SC-AZ

Exit sign

Ceiling mounting, SelfControl, 1 h, 22 m, IP20, Zinc die-cast, Anthracite

The AMCC is a zinc-diecast exit sign with cord suspension for recessed ceiling mounting and for the marking of escape routes. It is part of a complete luminaire series, which features solutions for every mounting situation and was honored with the German Design Award. Luminaires of the A-Series are equipped with modern LED illuminants and offer flexibility with changeable pictograms.

LED exit sign according to EN 60598-1, EN 60598-2-22, EN 7010 and EN 1838

Automatic monitoring of the emergency light with SelfControl.



More information

www.rp-group.com/en/item/AMCC401SC-AZ



TECHNICAL DATA

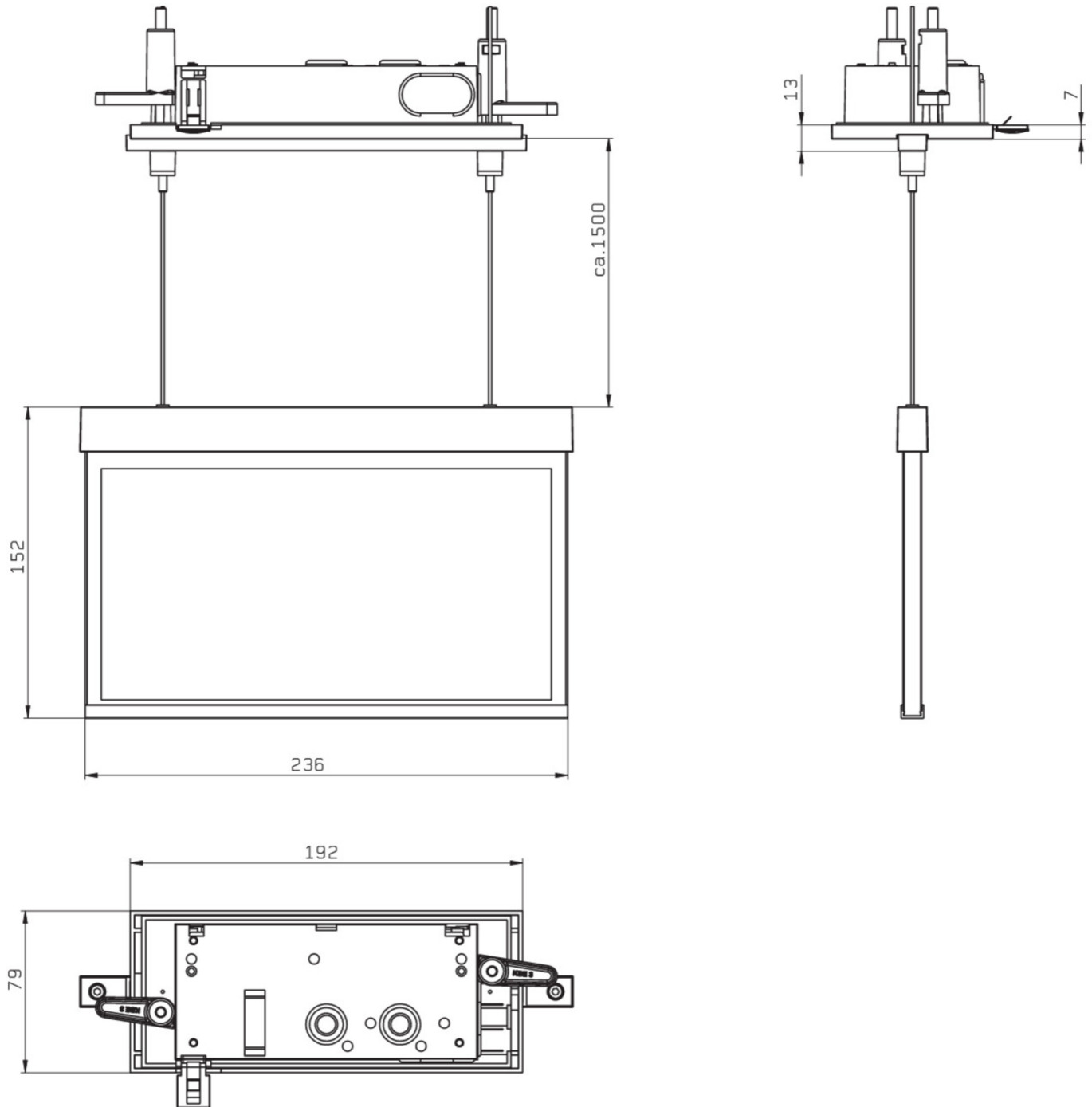
| | |
|------------------------|------------------|
| Luminaire type | Exit sign |
| Mounting | Ceiling mounting |
| Recognition distance | 22 m |
| Pictograph | Set |
| Illuminant | LED |
| Housing material | Zinc die-cast |
| Housing color | Anthracite |
| Protection type (IP) | IP20 |
| Impact resistance (IK) | ≥ 3 |
| Certification | WEEE, CE, ENEC |
| Insulation class | 2 |
| Monitoring | SelfControl |
| Bridging time | 1 h |
| Battery | 6,4 V 1,2 Ah/ |
| Power max. | 4,3 W |
| Power DS | 3,5 W |
| Power BS | 0,9 W |
| Ambient temperature DS | -5 °C - 40 °C |
| Ambient temperature BS | -5 °C - 40 °C |



| | |
|------------------------|---------------|
| Depth | 79 mm |
| Width | 236 mm |
| Height | 165 mm |
| Installation length | 176 mm |
| Installation width | 68 mm |
| Installation height | 40 mm |
| Weight | 1.54 |
| Weight incl. packaging | 1.9 |
| Customs tariff number | 94056180 |
| EAN | 4260766554469 |



TECHNICAL DRAWING



ACCESSORY LIST

AM-XBE -

As of: 04.09.2024 - Subject to technical changes and errors.