



Art.-Nr: AMCC401WL-AZ
Exit sign Single Battery
Ceiling mounting, Wireless Professional, 1 h, 22 m, IP20, Zinc die-cast, Anthracite

The AMCC is a zinc-diecast exit sign with cord suspension for recessed ceiling mounting and for the marking of escape routes. It is part of a complete luminaire series, which features solutions for every mounting situation and was honored with the German Design Award. Luminaires of the A-Series are equipped with modern LED illuminants and offer flexibility with changeable pictograms.

LED exit sign according to EN 60598-1, EN 60598-2-22, EN 7010 and EN 1838



[More information](#)



TECHNICAL DATA

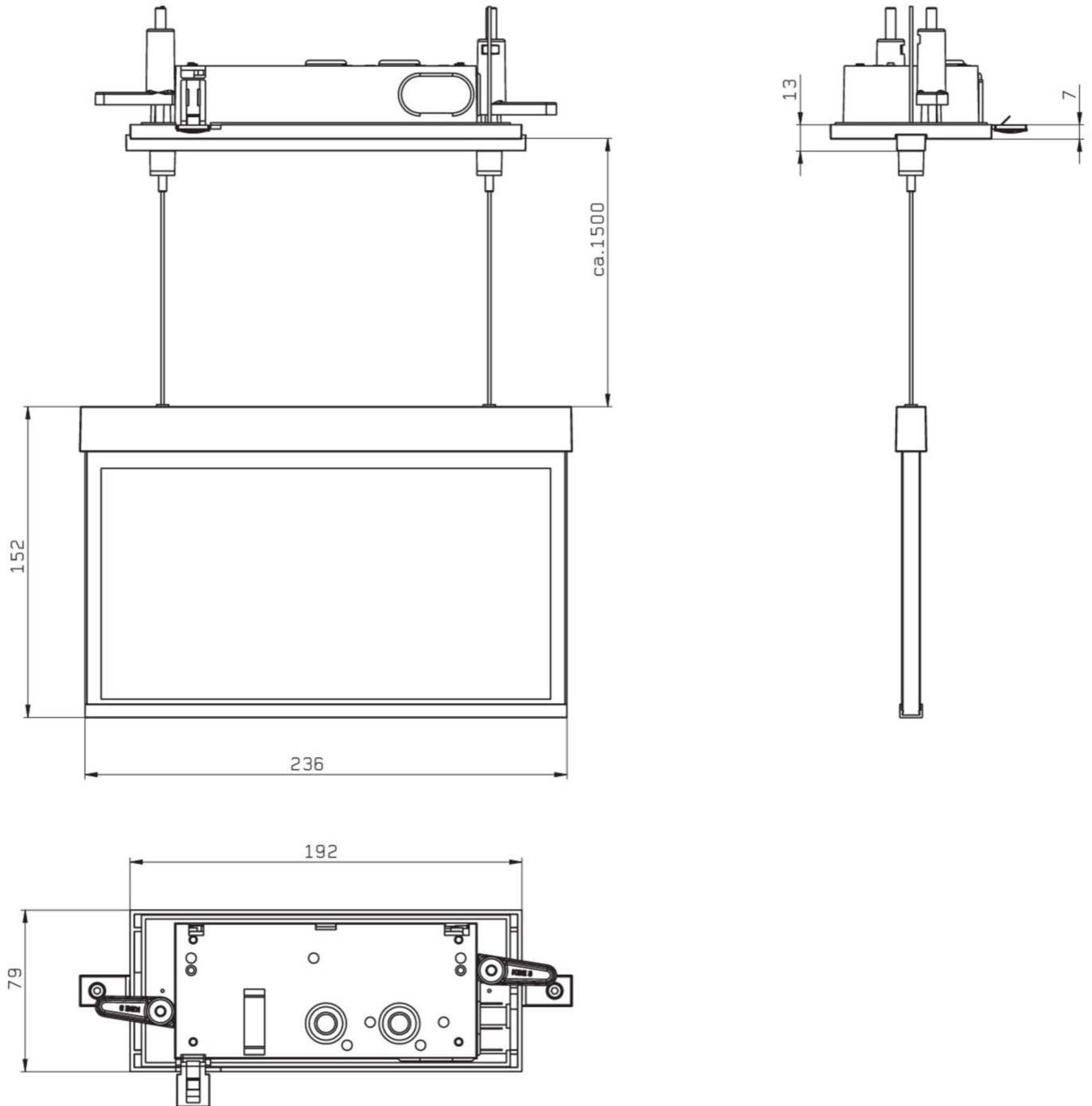
Luminaire type	Exit sign
Mounting	Ceiling mounting
Recognition distance	22 m
Pictograph	Set
Illuminant	LED
Housing material	Zinc die-cast
Housing color	Anthracite
Protection type (IP)	IP20
Impact resistance (IK)	≥ 3
Certification	WEEE, CE, ENEC
Insulation class	2
Supply	Single Battery
Monitoring	Wireless Professional
Bridging time	1 h
Battery	LiFePO4 - 2 pcs - 3,2 V /1200mAh LiFePO4 - Lithium Iron Phosphate Battery
Operating mode	Standby circuit / permanent circuit
Input voltageAC	230 V
Input frequency	50 Hz
Power max.	4,7 W
Power DS	3,5 W



Power BS	0,8 W
Depth	79 mm
Width	236 mm
Height	165 mm
Installation length	176 mm
Installation width	68 mm
Installation height	40 mm
Weight	1.61
Weight incl. packaging	1.97
Connection cross-section	2.5 mm ²
Switching input	Yes
Emergency light blocking	Yes
Battery connection	Connector
Dimming function	Yes
Customs tariff number	94056180
Country of origin	DEUTSCHLAND
EAN	4260682152800



TECHNICAL DRAWING





ACCESSORY LIST

AM-XBE -
LFP3212-LEO - Technology Battery

RELATED PRODUCTS

Art.-No.	Image	Monitoring	Supply	Color	Investment	Automatic log	Maintenance level	Remote maintenance	max. luminaires	Single luminaire monitoring
AMCC401WL		Wireless Professional	Single battery		€€	yes	low	yes	1,000 per system	central
AMCC401WL-E		Wireless Professional	Single battery		€€	yes	low	yes	1,000 per system	central

As of: 08.07.2024 - Subject to technical changes and errors.