



Art.-Nr: AME009ML-E
Exit sign Centralised power supply systems
Ceiling mounting, ML, CPS, 22 m, IP20, Zinc die-cast,
Stainless steel

The AME is a zinc-diecast exit sign for recessed ceiling mounting and for the marking of escape routes. It is part of a complete luminaire series, which features solutions for every mounting situation and was honored with the German Design Award. Luminaires of the A-Series are equipped with modern LED illuminants and offer flexibility with changeable pictograms.

LED exit sign according to EN 60598-1, EN 60598-2-22, EN 7010 and EN 1838



[More information](#)



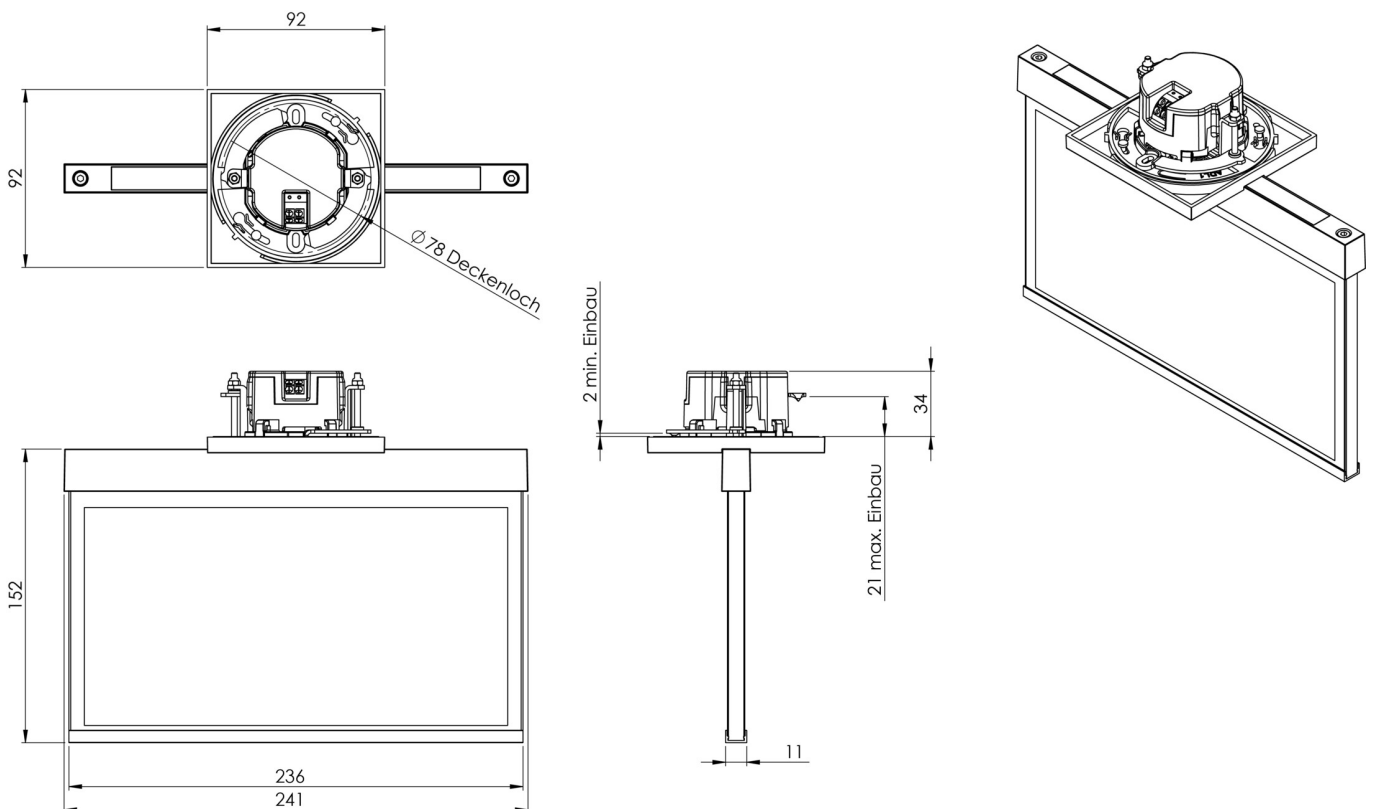
TECHNICAL DATA

Luminaire type	Exit sign
Mounting	Ceiling mounting
Recognition distance	22 m
Pictograph	Set
Illuminant	LED
Housing material	Zinc die-cast
Housing color	Stainless steel
Protection type (IP)	IP20
Impact resistance (IK)	≥ 3
Certification	WEEE, CE
Insulation class	2
Supply	Centralised power supply systems
Monitoring	ML
Bridging time	CPS
Operating mode	single luminaire switching
Input voltage AC	230 V
Input frequency	50 / 60 Hz
Input voltage DC	216 V
Power max.	3,2 W
Power DS	3,2 W






Power BS	0,7 W
Depth	92 mm
Width	236 mm
Height	194 mm
Installation dimensions Diameter	68 mm
Weight	1.09
Weight incl. packaging	1.45
Connection cross-section	2.5 mm ²
Switching input	No
Emergency light blocking	No
Battery connection	No
Dimming function	No
Customs tariff number	94056180
Country of origin	DEUTSCHLAND
EAN	4260581714376

TECHNICAL DRAWING





RELATED PRODUCTS

Art.-No.	Image	Monitoring	Supply	Color	Investment	Automatic log	Maintenance level	Remote maintenance	max. luminaires	Single luminaire monitoring
AME009ML		ML	Central power supply		€€€	Yes	low	Yes	1,920 per system	central
AME009ML-AZ		ML	Central power supply		€€€	Yes	low	Yes	1,920 per system	central
AME509CC		CoreCompact 24	Central power supply		€€	Yes	low	Yes		central
AME509CC-AZ		CoreCompact 24	Central power supply		€€	Yes	low	Yes		central
AME509CC-E		CoreCompact 24	Central power supply		€€	Yes	low	Yes		central

As of: 09.07.2024 - Subject to technical changes and errors.