



**Art.-Nr: AME401SC**

**Exit sign**

**Ceiling mounting, SelfControl, 1 h, 22 m, IP20, Zinc die-cast, white**

The AME is a zinc-diecast exit sign for recessed ceiling mounting and for the marking of escape routes. It is part of a complete luminaire series, which features solutions for every mounting situation and was honored with the German Design Award. Luminaires of the A-Series are equipped with modern LED illuminants and offer flexibility with changeable pictograms.

LED exit sign according to EN 60598-1, EN 60598-2-22, EN 7010 and EN 1838

Automatic monitoring of the emergency light with SelfControl.



More information

[www.rp-group.com/en/item/AME401SC](http://www.rp-group.com/en/item/AME401SC)



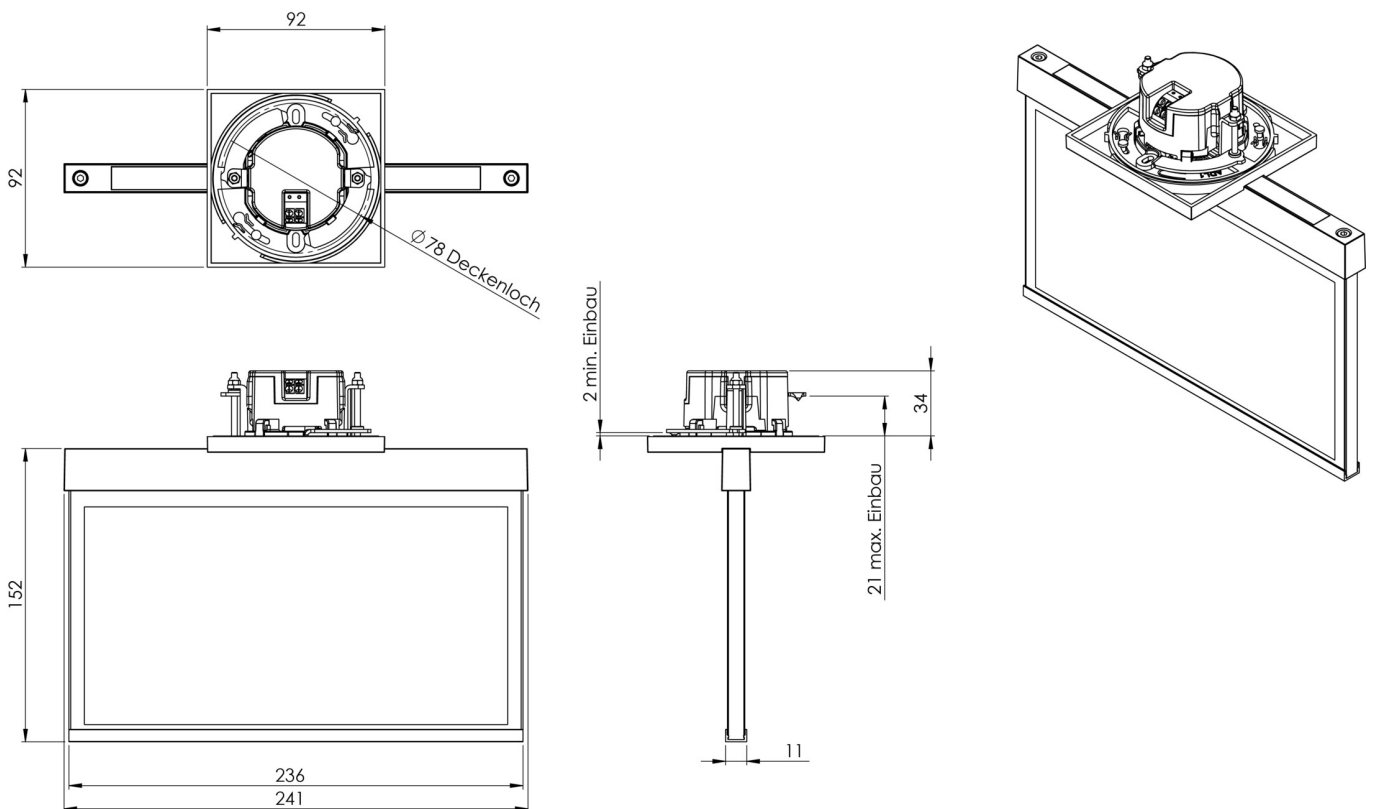
**TECHNICAL DATA**

Luminaire type	Exit sign
Mounting	Ceiling mounting
Recognition distance	22 m
Pictograph	Set
Illuminant	LED
Housing material	Zinc die-cast
Housing color	white
Protection type (IP)	IP20
Impact resistance (IK)	≥ 3
Certification	WEEE, CE
Insulation class	2
Monitoring	SelfControl
Bridging time	1 h
Battery	6,4 V 1,2 Ah/
Power max.	4,3 W
Power DS	3,5 W
Power BS	0,9 W
Ambient temperature DS	-5 °C - 40 °C
Ambient temperature BS	-5 °C - 40 °C



Depth	92 mm
Width	236 mm
Height	194 mm
Installation dimensions Diameter	68 mm
Weight	1.2
Weight incl. packaging	1.56
Customs tariff number	94056180
EAN	4260766554759

## TECHNICAL DRAWING



As of: 04.09.2024 - Subject to technical changes and errors.