



**Art.-Nr: AME509CC-AZ**  
**Exit sign Centralised power supply systems**  
**Ceiling mounting, CoreCompact 24, CPS, 22 m, IP20, Zinc die-cast, Anthracite**

The AME is a zinc-diecast exit sign for recessed ceiling mounting and for the marking of escape routes. It is part of a complete luminaire series, which features solutions for every mounting situation and was honored with the German Design Award. Luminaires of the A-Series are equipped with modern LED illuminants and offer flexibility with changeable pictograms.

LED exit sign according to EN 60598-1, EN 60598-2-22, EN 7010 and EN 1838



More information



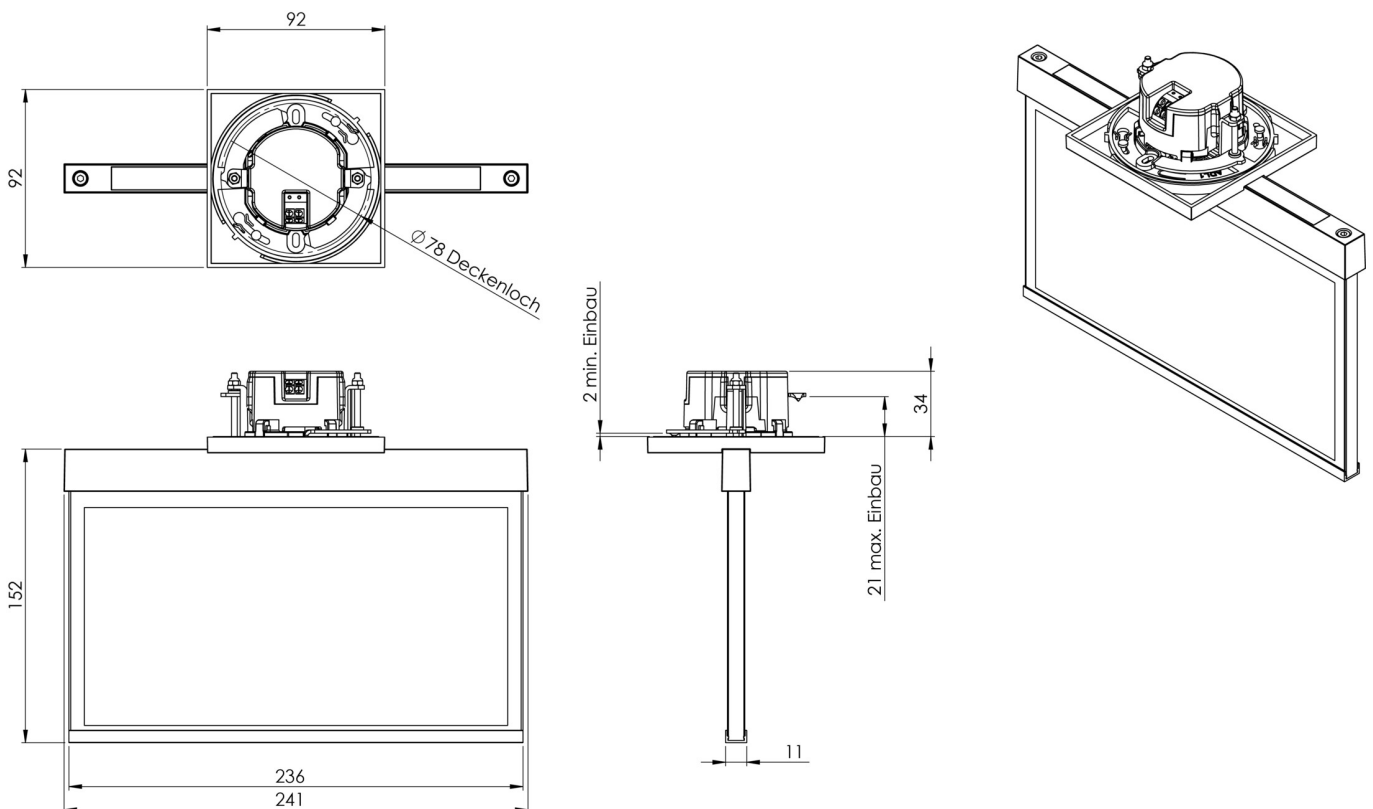
## TECHNICAL DATA

Luminaire type	Exit sign
Mounting	Ceiling mounting
Recognition distance	22 m
Pictograph	Set
Illuminant	LED
Housing material	Zinc die-cast
Housing color	Anthracite
Protection type (IP)	IP20
Impact resistance (IK)	≥ 3
Certification	WEEE, CE
Insulation class	2
Supply	Centralised power supply systems
Monitoring	CoreCompact 24
Bridging time	CPS
Operating mode	Standby circuit / permanent circuit
Input voltageAC	24 V
Power max.	2,5 W
Power DS	2,5 W
Power BS	0,4 W
Depth	92 mm



Width	236 mm
Height	194 mm
Installation dimensions Diameter	68 mm
Weight	1.45
Weight incl. packaging	1.81
Connection cross-section	2.5 mm <sup>2</sup>
Switching input	No
Emergency light blocking	No
Battery connection	No
Dimming function	Yes
Luminous flux mains	165 lm
Luminous flux emergency	165 lm
Customs tariff number	94056180
Country of origin	DEUTSCHLAND
EAN	4260682156372

## TECHNICAL DRAWING





## RELATED PRODUCTS

Art.-No.	Image	Monitoring	Supply	Color	Investment	Automatic log	Maintenance level	Remote maintenance	max. luminaires	Single luminaire monitoring
AME009ML		ML	Central power supply		€€€	Yes	low	Yes	1,920 per system	central
AME009ML-AZ		ML	Central power supply		€€€	Yes	low	Yes	1,920 per system	central
AME009ML-E		ML	Central power supply		€€€	Yes	low	Yes	1,920 per system	central
AME509CC		CoreCompact 24	Central power supply		€€	Yes	low	Yes		central
AME509CC-E		CoreCompact 24	Central power supply		€€	Yes	low	Yes		central

As of: 09.07.2024 - Subject to technical changes and errors.