



Art.-Nr: AMEC009-E
Exit sign Centralised power supply systems
Recessed wall mounting, CPS, CPS, 22 m, IP20, Zinc die-cast,
Stainless steel

The AMEC is a zinc-diecast exit sign for recessed wall mounting and for the marking of escape routes. It is part of a complete luminaire series, which features solutions for every mounting situation and was honored with the German Design Award. Luminaires of the A-Series are equipped with modern LED illuminants and offer flexibility with changeable pictograms.

LED exit sign according to EN 60598-1, EN 60598-2-22, EN 7010 and EN 1838



More information



TECHNICAL DATA

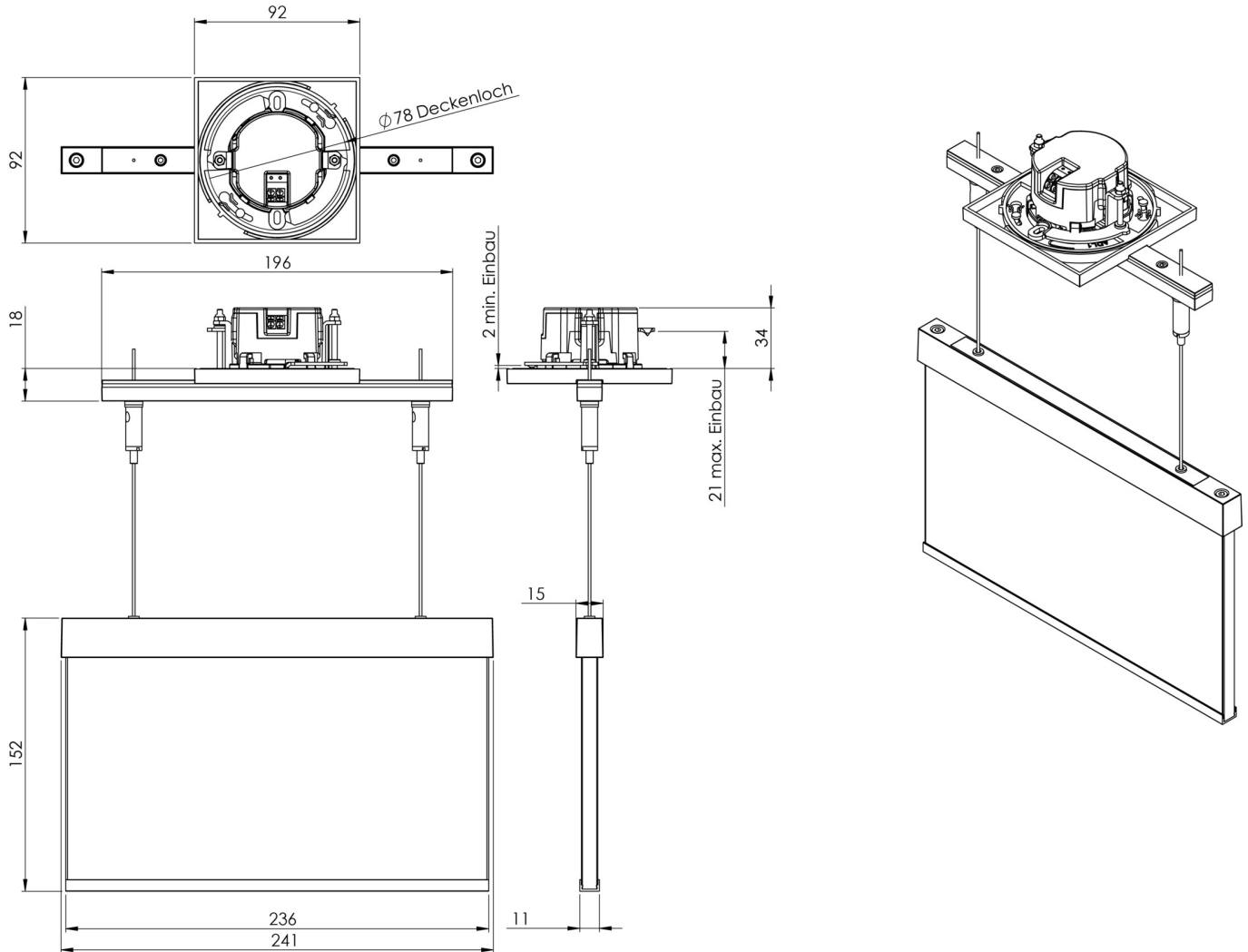
Luminaire type	Exit sign
Mounting	Recessed wall mounting
Recognition distance	22 m
Pictograph	Set
Illuminant	LED
Housing material	Zinc die-cast
Housing color	Stainless steel
Protection type (IP)	IP20
Impact resistance (IK)	≥ 3
Certification	WEEE, CE
Insulation class	2
Supply	Centralised power supply systems
Monitoring	CPS
Bridging time	CPS
Operating mode	Permanent circuit
Input voltage AC	230 V
Input frequency	50 / 60 Hz
Input voltage DC	100-254 V
Power max.	2,4 W
Power DS	2,4 W



Power BS	0 W
~pim_attribute~zulaessigeUmgebungstemperaturInDS	-25 °C - 40 °C
~pim_attribute~zulaessigeUmgebungstemperaturInBS	-25 °C - 40 °C
Depth	92 mm
Width	236 mm
Height	182 mm
Installation dimensions Diameter	68 mm
Weight	1.43
Weight incl. packaging	1.79
Connection cross-section	1.5 mm ²
Switching input	No
Emergency light blocking	No
Battery connection	No
Dimming function	No
Customs tariff number	94056180
EAN	4260659561413



TECHNICAL DRAWING



As of: 09.07.2024 - Subject to technical changes and errors.