



Art.-Nr: AMEC403SC-AZ

Exit sign

Ceiling mounting, SelfControl, 3 h, 22 m, IP20, Zinc die-cast, Anthracite

The AMEC is a zinc-diecast exit sign for recessed wall mounting and for the marking of escape routes. It is part of a complete luminaire series, which features solutions for every mounting situation and was honored with the German Design Award. Luminaires of the A-Series are equipped with modern LED illuminants and offer flexibility with changeable pictograms.

LED exit sign according to EN 60598-1, EN 60598-2-22, EN 7010 and EN 1838



More information



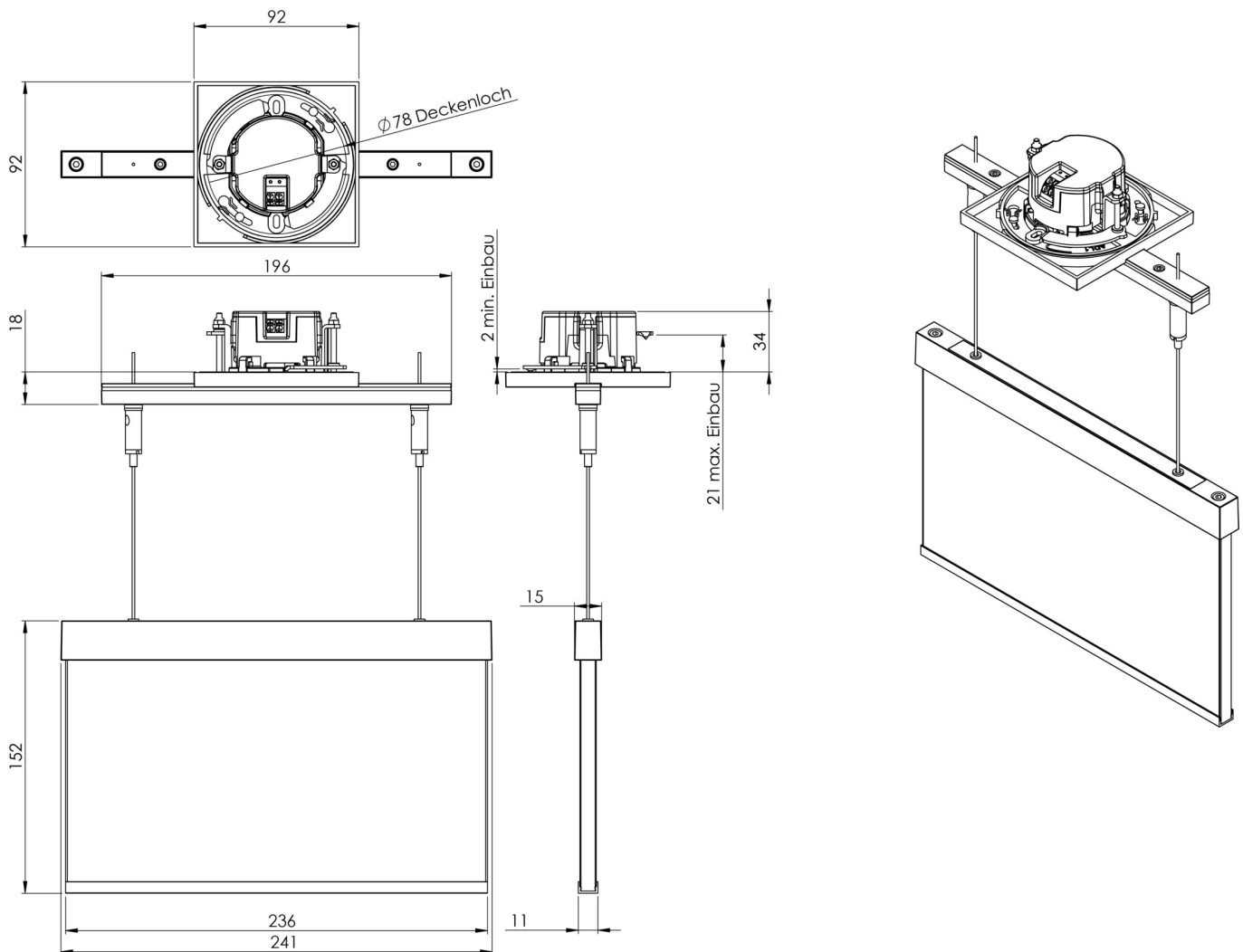
TECHNICAL DATA

Luminaire type	Exit sign
Mounting	Ceiling mounting
Recognition distance	22 m
Pictograph	Set
Illuminant	LED
Housing material	Zinc die-cast
Housing color	Anthracite
Protection type (IP)	IP20
Impact resistance (IK)	≥ 3
Certification	WEEE, CE
Insulation class	2
Monitoring	SelfControl
Bridging time	3 h
Battery	LiFePO4 - 2 pcs - 3,2 V /1200mAh LiFePO4 - Lithium Iron Phosphate Battery
Power max.	4,3 W
Power DS	3,5 W
Power BS	0,9 W
Ambient temperature DS	-5 °C - 40 °C
Ambient temperature BS	-5 °C - 40 °C
Depth	92 mm



Width	236 mm
Height	182 mm
Installation dimensions Diameter	68 mm
Weight	1.54
Weight incl. packaging	1.9
Customs tariff number	94056180
EAN	4260766554858

TECHNICAL DRAWING



As of: 10.07.2024 - Subject to technical changes and errors.