



**Art.-Nr: AMRA401SC-AZ**

**Exit sign**

**Recessed wall mounting, SelfControl, 1 h, 22 m, IP20, Zinc die-cast, Anthracite**

The AMRA is a zinc-diecast exit sign for recessed wall mounting, designed as flag mount, and for the marking of escape routes. It is part of a complete luminaire series, which features solutions for every mounting situation and was honored with the German Design Award. Luminaires of the A-Series are equipped with modern LED illuminants and offer flexibility with changeable pictograms.

LED exit sign according to EN 60598-1, EN 60598-2-22, EN 7010 and EN 1838

Automatic monitoring of the emergency light with SelfControl.



More information

[www.rp-group.com/en/item/AMRA401SC-AZ](http://www.rp-group.com/en/item/AMRA401SC-AZ)



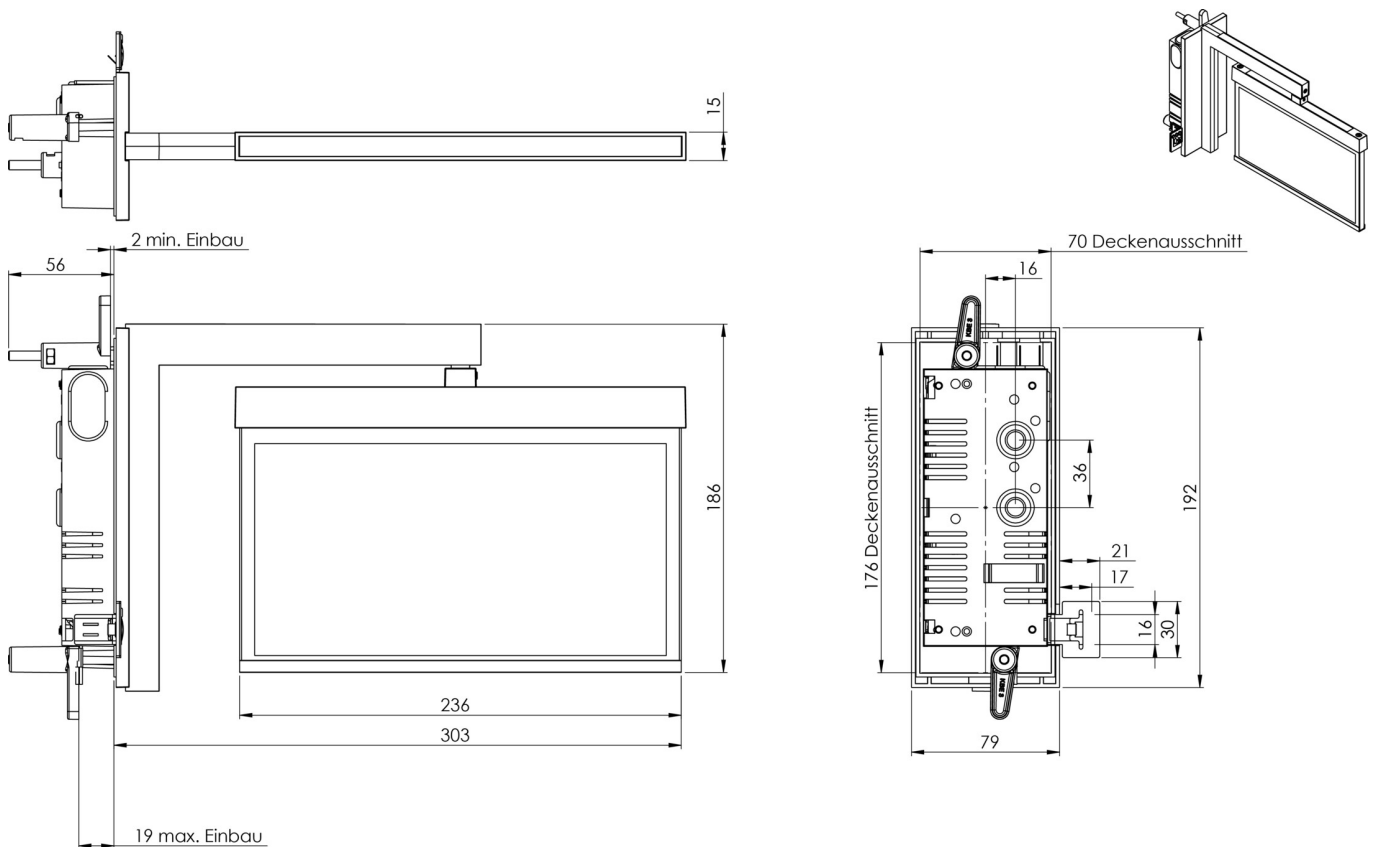
**TECHNICAL DATA**

Luminaire type	Exit sign
Mounting	Recessed wall mounting
Recognition distance	22 m
Pictograph	Set
Illuminant	LED
Housing material	Zinc die-cast
Housing color	Anthracite
Protection type (IP)	IP20
Impact resistance (IK)	≥ 3
Certification	WEEE, CE, ENEC
Insulation class	2
Monitoring	SelfControl
Bridging time	1 h
Battery	6,4 V 1,2 Ah/
Power max.	4,3 W
Power DS	3,5 W
Power BS	0,9 W
Ambient temperature DS	-5 °C - 40 °C
Ambient temperature BS	-5 °C - 40 °C



Depth	79 mm
Width	306 mm
Height	196 mm
Installation length	176 mm
Installation width	68 mm
Installation height	40 mm
Weight	1.56
Weight incl. packaging	1.92
Customs tariff number	94056180
EAN	4260766555008

## TECHNICAL DRAWING



## ACCESSORY LIST

AM-XBE -

As of: 04.09.2024 - Subject to technical changes and errors.