



Art.-Nr: AXDP401WL-AZ
Exit sign Single Battery
Recessed mounting, Wireless Professional (WL), 1 h, 30 m,
IP40, Zinc die-cast, Anthracite

Modern zinc die-cast emergency exit sign luminaire with pendant for surface mounting on the ceiling. Escape and emergency routes can be identified on either one or two sides.

It is part of the A series luminaire family, which provides solutions for any mounting and has won the German Design Award for its uniform, straight-line design.

Wireless central control and monitoring for large installations of up to 50,000 luminaires with Wireless Professional. The innovative integrated lens holder with a rapid fitting fixture permits the flexible use of various lens types. Using the right lens allows the distribution of light to be matched perfectly to the application and simplifies illumination which satisfies all relevant standards. A round lens and hall lens are supplied with every luminaire, allowing it to be adapted perfectly to the respective mounting situation. Other lenses, such as a spotlight lens, beam lens or H lens, are available as options.



More information

www.rp-group.com/en/item/AXDP401WL-AZ



TECHNICAL DATA

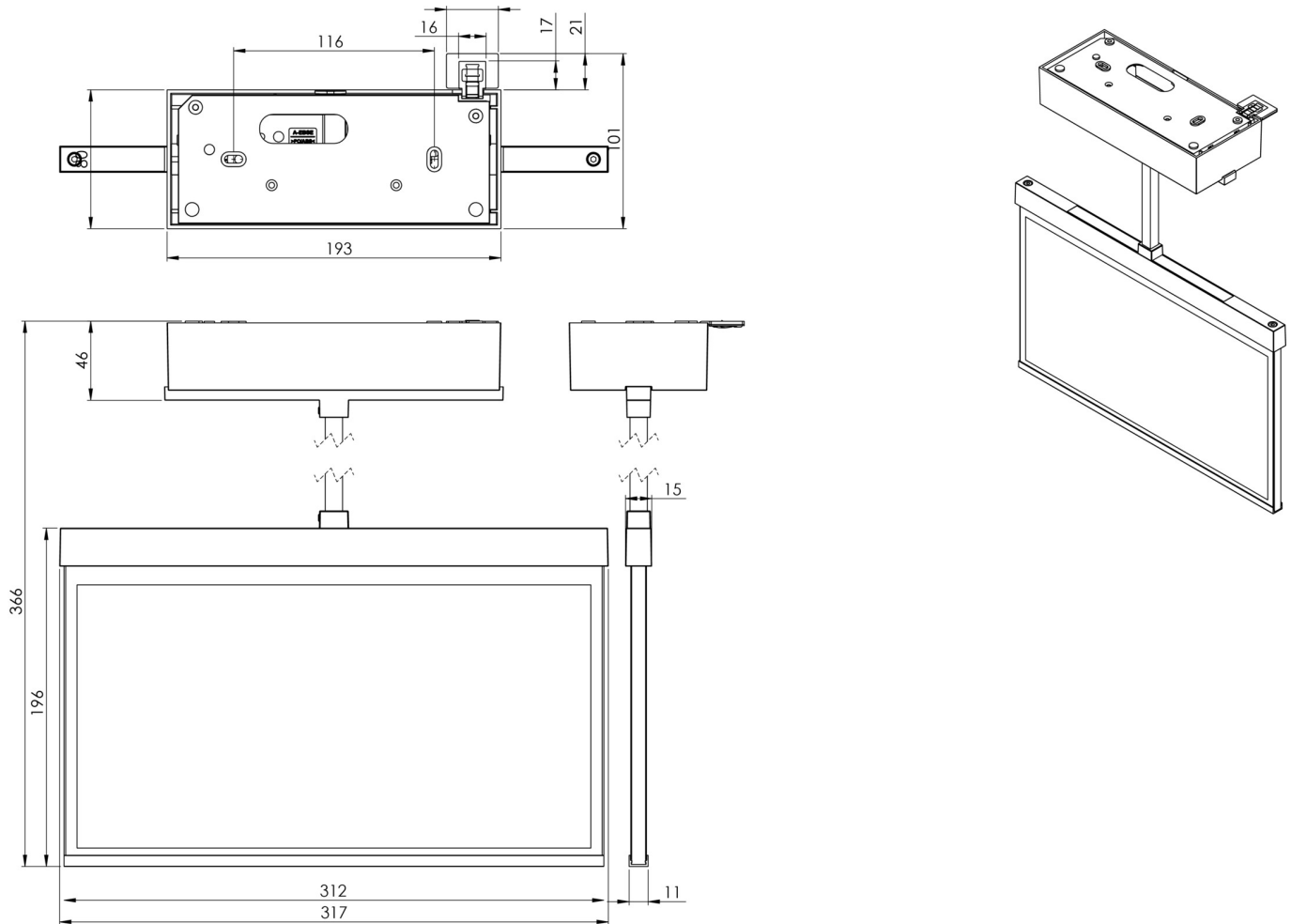
| | |
|------------------------|----------------------------|
| Luminaire type | Exit sign |
| Mounting | Recessed mounting |
| Recognition distance | 30 m |
| Pictograph | Set |
| Illuminant | LED |
| Housing material | Zinc die-cast |
| Housing color | Anthracite |
| Protection type (IP) | IP40 |
| Impact resistance (IK) | ≥ 3 |
| Certification | WEEE, CE, ENEC |
| Insulation class | 2 |
| Supply | Single Battery |
| Monitoring | Wireless Professional (WL) |
| Bridging time | 1 h |



| | |
|--------------------------|-------------------------------------|
| Battery | LiFePO4 6,4 V/1,2 Ah |
| Operating mode | Standby circuit / permanent circuit |
| Input voltageAC | 230 V |
| Input frequency | 50 Hz |
| Power max. | 5,6 W |
| Power DS | 4,5 W |
| Power BS | 0,8 W |
| Ambient temperature DS | -5 °C - 40 °C |
| Ambient temperature BS | -5 °C - 40 °C |
| Depth | 80 mm |
| Width | 312 mm |
| Height | 228 mm |
| Weight | 2.06 |
| Weight incl. packaging | 2.55 |
| Connection cross-section | 2.5 mm ² |
| Switching input | Yes |
| Emergency light blocking | Yes |
| Battery connection | Connector |
| Dimming function | Yes |
| Customs tariff number | 94056180 |
| EAN | 4260682153814 |



TECHNICAL DRAWING



ACCESSORY LIST

AM-X-PKG-AZ -

AM-X-APA - Surface-mounted adapter AM/AX

LFP3212.K-SET-2AKKU - CS_VALUE_BatteryTechnology. Battery



RELATED PRODUCTS

| Art.-No. | Image | Monitoring | Supply | Color | Investment | Automatic log | Maintenance level | Remote maintenance | max. luminaires | Single luminaire monitoring |
|-------------|-------|----------------------------|----------------|-----------|------------|---------------|-------------------|--------------------|------------------|-----------------------------|
| AXDP401WL | | Wireless Professional (WL) | Single battery | RAL 9003 | €€ | yes | low | yes | 1,000 per system | central |
| AXDP401WL-E | | Wireless Professional (WL) | Single battery | Edelstahl | €€ | yes | low | yes | 1,000 per system | central |

As of: 11.10.2024 - Subject to technical changes and errors.