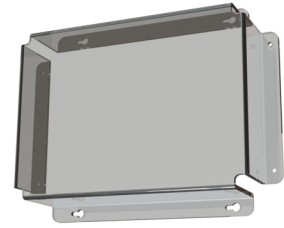




## Art.-Nr: BALLPLX-AM

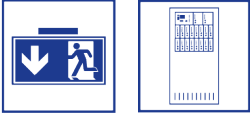
The transparent ball protection hood made of Plexiglas (PMMA) is suitable for use in sports halls. It is ball-proof according to DIN 18032 and IK10 provides a high level of protection against impact and impact stress. In addition to protection, it enables a direct, undisturbed view to the luminaire.



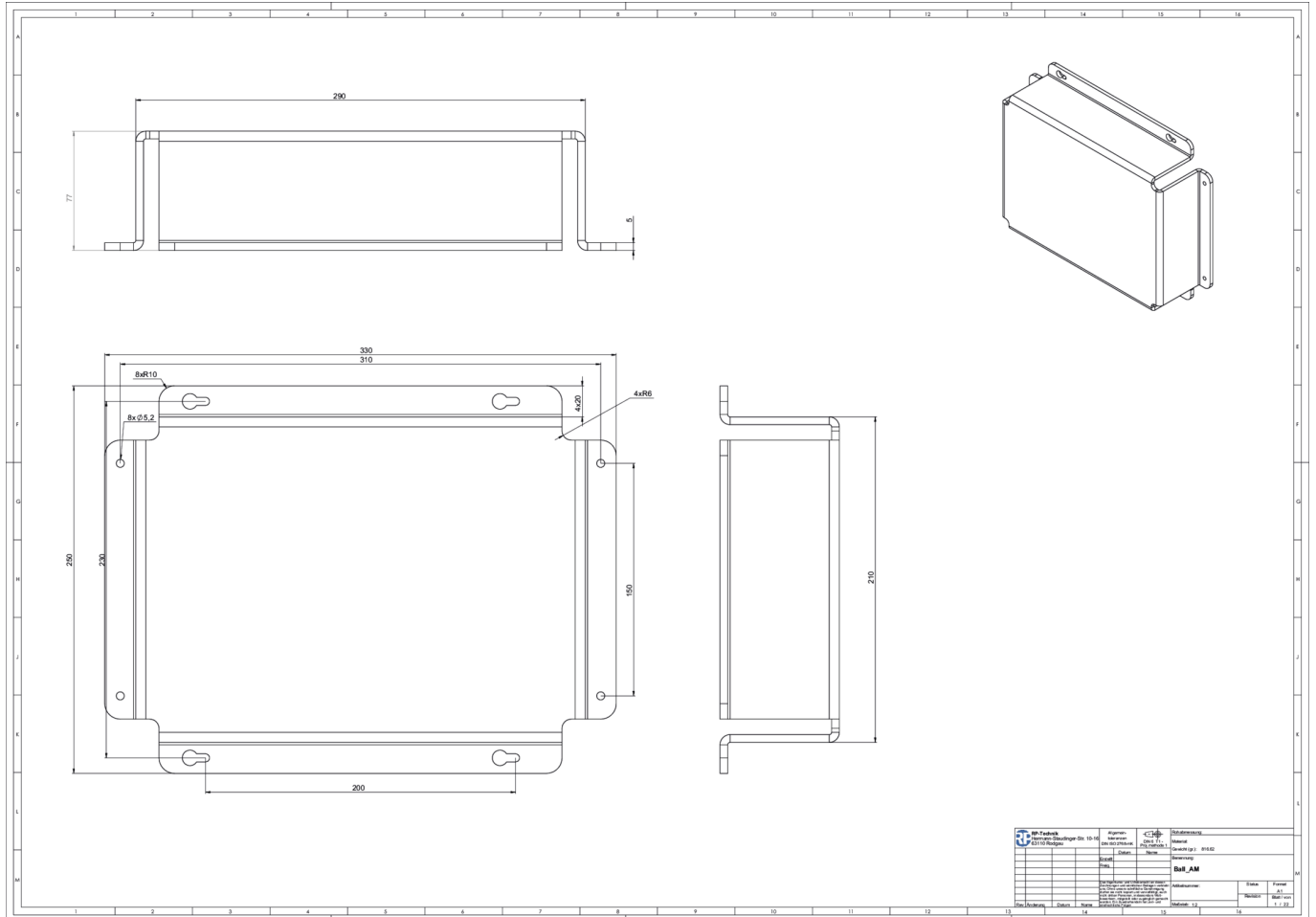
[general.qrcode-more-infos](#)

### TEXT. TECHNISCHE DATEN

|                                |               |
|--------------------------------|---------------|
| ~pim_attribute~Tiefe           | 77 mm         |
| ~pim_attribute~Breite          | 250 mm        |
| ~pim_attribute~Hoehe           | 330 mm        |
| ~pim_attribute~Gewicht         | 0.79 kg       |
| ~pim_attribute~Zolltarifnummer | 39269097      |
| ~pim_attribute~Ursprungsland   | Deutschland   |
| ~pim_attribute~EAN             | 4260349828550 |



TEXT. TECHNICAL-DRAWINGS



stand: 21.06.2024 - text.technisch\_aenderungen\_und\_irrtuemer\_vorbehalten