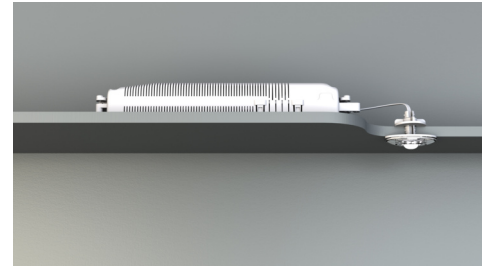




Art.-Nr: DOE023WL
Safety luminaire Single Battery
Ceiling mounting, Wireless Professional, 3 h, , IP20, Plastic, Opal

Compact Emergency lighting unit with oval lighting ERT-LED luminaire for the lighting of escape and rescue routes according to DIN EN 60598-1, DIN EN 60598-2-22 and EN 1838. For recessed mounting or snap-on mounting on T5/T8 illuminants and metal objects. The transparent body material makes the luminaire fit in any setting. Available including the electronics box or as a bulk version for application in an existing luminaire cases. Dowel and clips included – magnetic base optional.



More information



TECHNICAL DATA

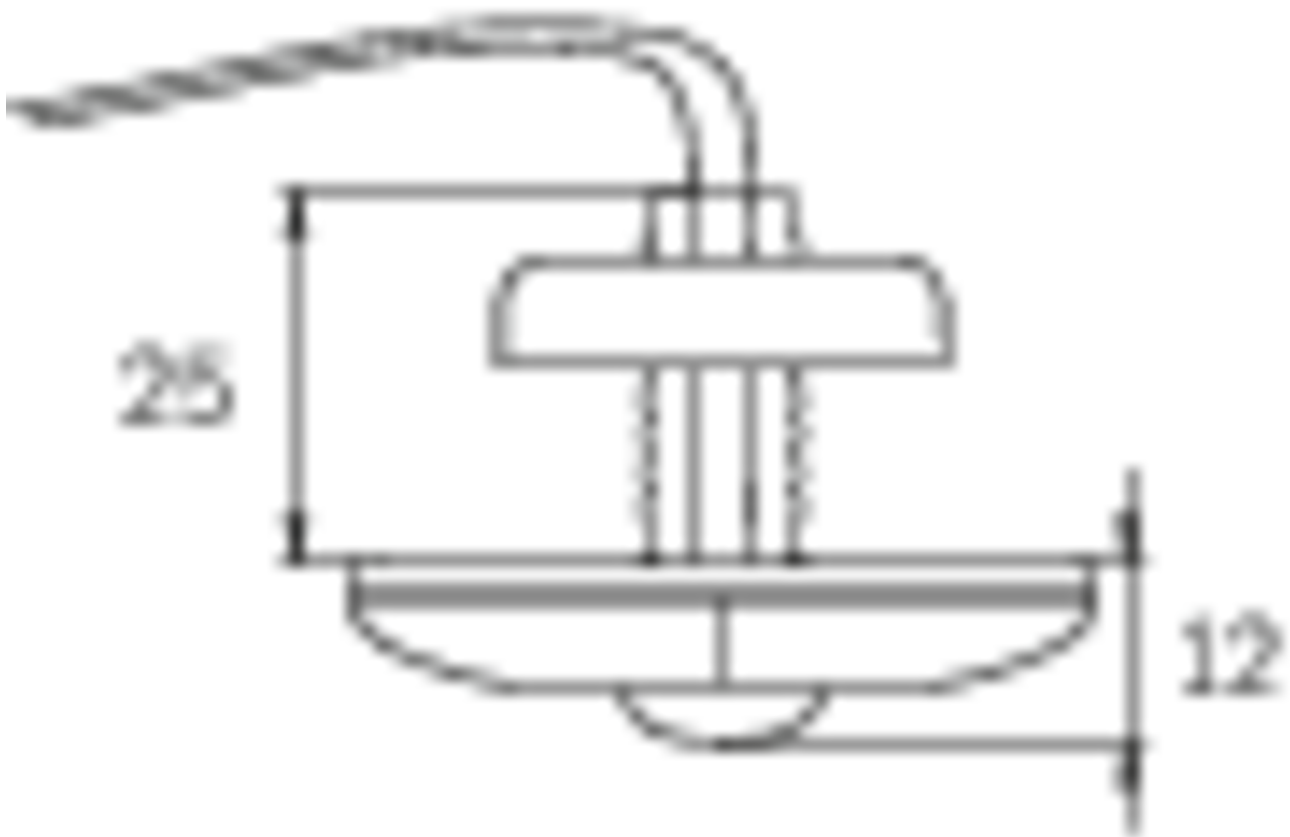
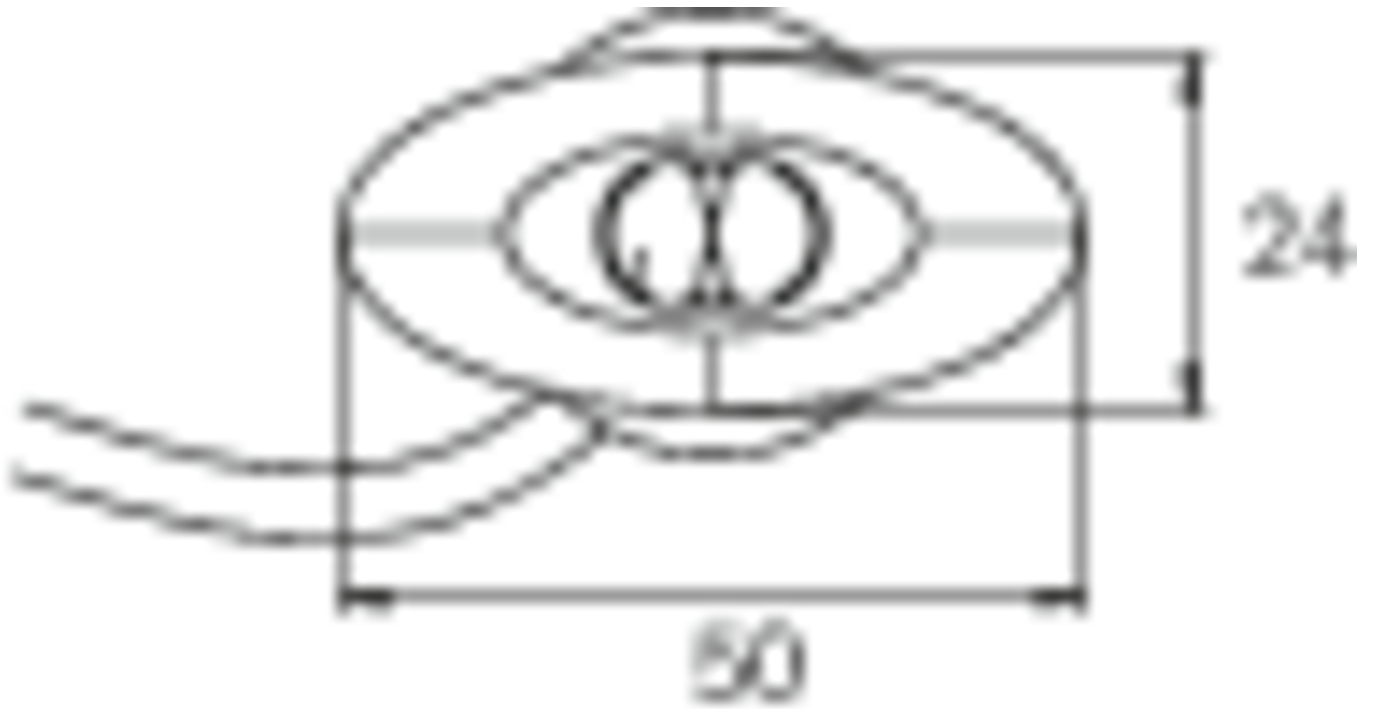
Luminaire type	Safety luminaire
Mounting	Ceiling mounting
Pictograph	No
Illuminant	LED
Housing material	Plastic
Housing color	Opal
Protection type (IP)	IP20
Impact resistance (IK)	≥ 3
Certification	WEEE, CE, TÜV Rheinland Type approved, ENEC
Insulation class	2
Supply	Single Battery
Monitoring	Wireless Professional
Bridging time	3 h
Battery	battery pack 4,8V/2,0Ah NimH, 300mm wire (LPU,LEM)
Operating mode	Standby circuit / permanent circuit
Input voltage AC	230 V
Input frequency	50 / 60 Hz
Input voltage DC	- V
Power max.	5,6 W
Power DS	5,2 W



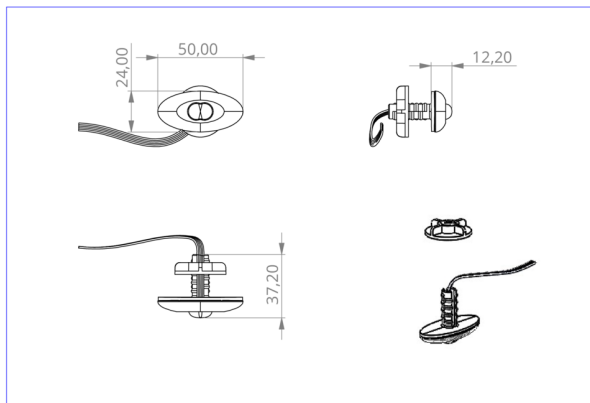
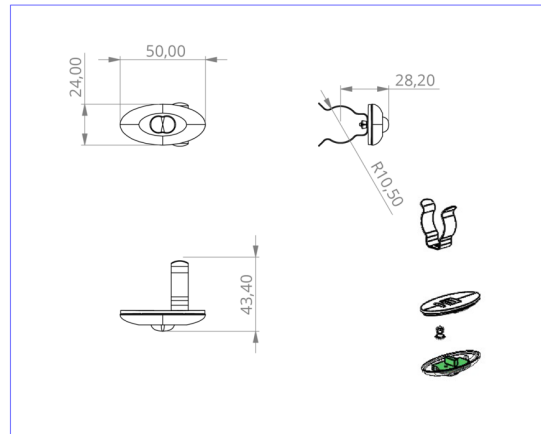
Power BS	3,8 W
Depth	24 mm
Width	50 mm
Height	12 mm
Installation dimensions Diameter	10.5 mm
Weight	0.41
Weight incl. packaging	0.49
Connection cross-section	1.5 mm ²
Switching input	Yes
Emergency light blocking	Yes
Battery connection	Clip
Dimming function	No
Luminous flux mains	140 lm
Luminous flux emergency	140 lm
Customs tariff number	94056120
Country of origin	DEUTSCHLAND
EAN	4260123689896



TECHNICAL DRAWING



e 10.5



DO verschiedene Einbaumaße



RELATED PRODUCTS

Art.-No.	Image	Monitoring	Supply	Color	Investment	Automatic log	Maintenance level	Remote maintenance	max. luminaires	Single luminaire monitoring
DOE023										
DOE023BC		Bus control								
DOE023SC		SelfControl	Single battery		€	no	high	no	unlimited	itself

As of: 05.07.2024 - Subject to technical changes and errors.