

Art.-Nr: ILD-APA-02-SW

Adapter for the luminaire ILD, to enable lateral cable routing for surface-mounted cabling.

Material polycarbonate, color black RAL 9005.



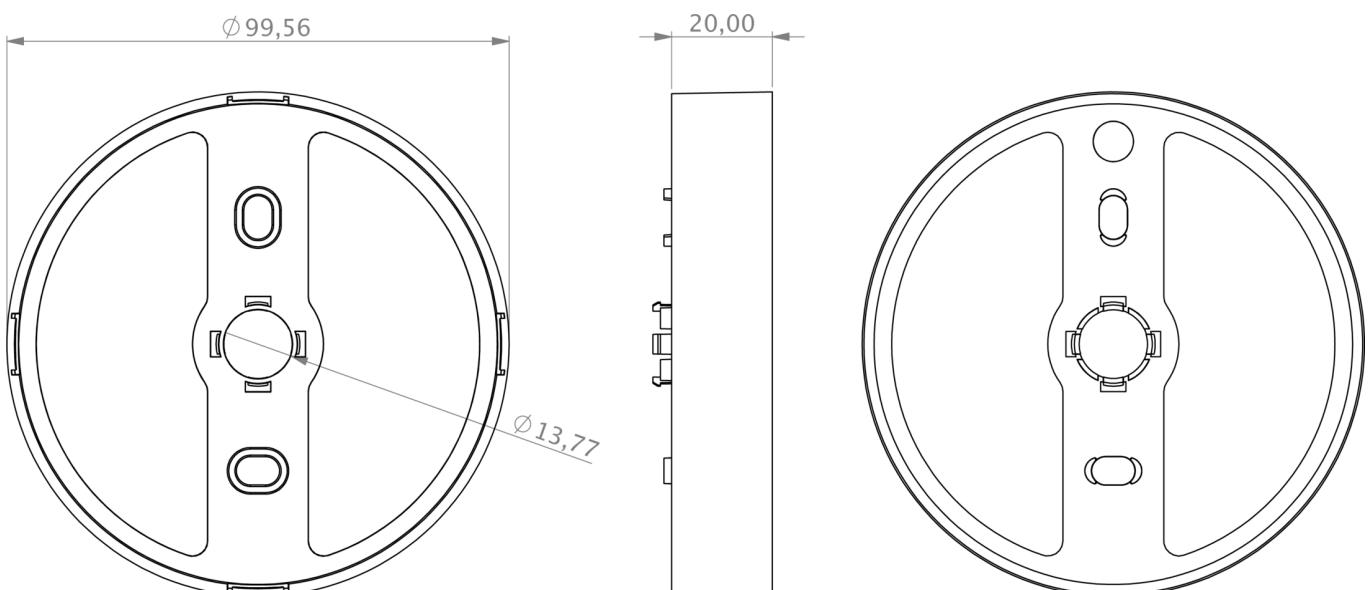
More information



TECHNICAL DATA

Depth	100 mm
Width	100 mm
Height	20 mm
Weight	0.15 kg
Customs tariff number	39269097
Country of origin	DEUTSCHLAND
EAN	4260766557385

TECHNICAL DRAWING



stand: 21.06.2024 - Subject to technical changes and errors.