



Art.-Nr: KMB011SC
Safety luminaire Single Battery
Universal, SelfControl, 1 h, , IP54, Plastic, white

Compact emergency luminaire for the illumination of escape and rescue routes with prismatic cover for optimized light distribution. This is made possible by the with the High-Power SMD LEDs which also have a really long life span of around 50000 h. These luminaires are available for central battery systems or as a self-contained luminaire. The optional recessed mounting frame hides the luminaire elegantly within the ceiling.



More information



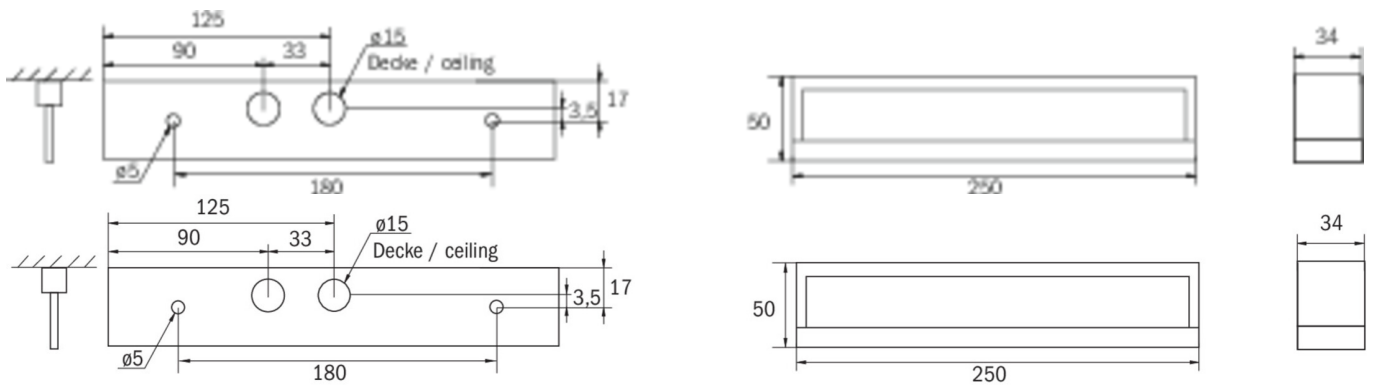
TECHNICAL DATA

Luminaire type	Safety luminaire
Mounting	Universal
Pictograph	No
Illuminant	LED
Housing material	Plastic
Housing color	white
Protection type (IP)	IP54
Impact resistance (IK)	≥ 3
Certification	Waste disposal, CE
Insulation class	2
Supply	Single Battery
Monitoring	SelfControl
Bridging time	1 h
Battery	LiFePO4 3,2 V / 3,3 Ah LiFePO4 - Lithium Iron Phosphate Battery
Operating mode	Standby circuit / permanent circuit
Input voltage AC	230 V
Input frequency	50 / 60 Hz
Input voltage DC	- V
Power max.	4,6 W
Power DS	3,3 W
Power BS	1 W



Depth	250 mm
Width	34 mm
Height	50 mm
Weight	0.58
Weight incl. packaging	0.65
Connection cross-section	2.5 mm ²
Switching input	Yes
Emergency light blocking	No
Battery connection	Connector
Dimming function	No
Luminous flux mains	190 lm
Luminous flux emergency	190 lm
Customs tariff number	94056120
Country of origin	DEUTSCHLAND
EAN	4260682144577

TECHNICAL DRAWING



ACCESSORY LIST

- KME-EB -
- BALL1 -
- KMBE -
- BALLPLX-KMB -
- KMBFH -



RELATED PRODUCTS

Art.-No.	Image	Monitoring	Supply	Color	Investment	Automatic log	Maintenance level	Remote maintenance	max. luminaires	Single luminaire monitoring
KMB011SC-G10		SelfControl	Single battery		€	no	high	no	unlimited	itself
KMB011WB		Wireless Basic	Single battery		€€	yes	low	yes	50	central
KMB011WL		Wireless Professional	Single battery		€€	yes	low	yes	1,000 per system	central
KMB011WL-G10		Wireless Professional	Single battery		€€	yes	low	yes	1,000 per system	central

As of: 29.06.2024 - Subject to technical changes and errors.