



Art.-Nr: KMB411SC
Safety luminaire Single Battery
Universal, SelfControl, 1 h, , IP54, Plastic, white

Compact emergency luminaire for the illumination of escape and rescue routes with prismatic cover for optimized light distribution. This is made possible by the with the High-Power SMD LEDs which also have a really long life span of around 50000 h. These luminaires are available for central battery systems or as a self-contained luminaire. The optional recessed mounting frame hides the luminaire elegantly within the ceiling.



More information



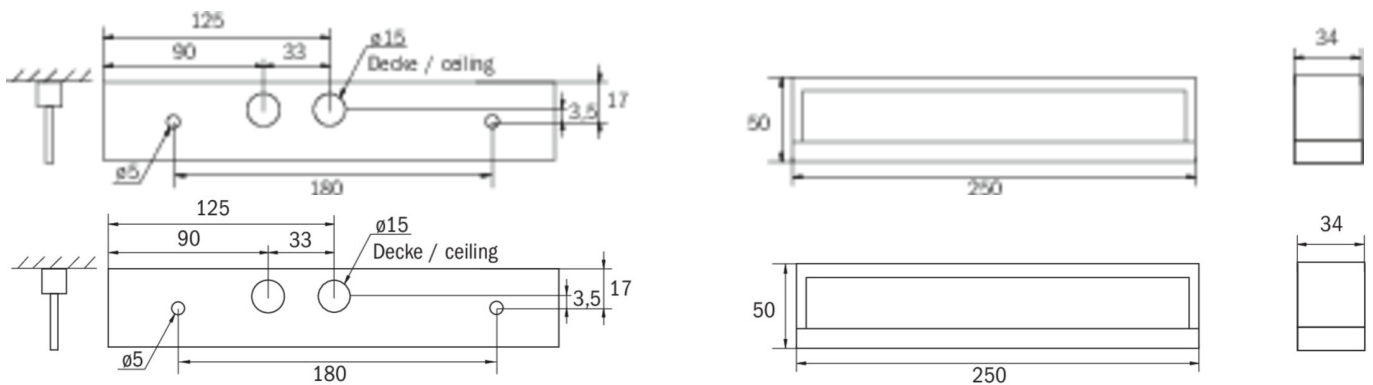
TECHNICAL DATA

Luminaire type	Safety luminaire
Mounting	Universal
Pictograph	No
Illuminant	LED
Housing material	Plastic
Housing color	white
Protection type (IP)	IP54
Impact resistance (IK)	≥ 3
Certification	Waste disposal, CE
Insulation class	2
Supply	Single Battery
Monitoring	SelfControl
Bridging time	1 h
Operating mode	Standby circuit / permanent circuit
Input voltage AC	230 V
Input frequency	50 / 60 Hz
Input voltage DC	- V
Power max.	4,6 W
Power DS	3,3 W
Power BS	1 W
Depth	250 mm



Width	34 mm
Height	50 mm
Weight	0.5
Weight incl. packaging	0.57
Connection cross-section	2.5 mm ²
Switching input	Yes
Emergency light blocking	No
Battery connection	Connector
Dimming function	No
Luminous flux mains	190 lm
Luminous flux emergency	190 lm
Customs tariff number	94056180
Country of origin	DEUTSCHLAND
EAN	4262483020616

TECHNICAL DRAWING



ACCESSORY LIST

- KME-EB -
- BALL1 -
- KMBE -
- BALLPLX-KMB -
- KMBFH -

As of: 29.06.2024 - Subject to technical changes and errors.