



**Art.-Nr: KSU019ML**  
**Exit sign Central power supply**  
**Universal, ML, Central power supply, 22 m, IP54, Plastic, white**

Innovative polycarbonate edge LED luminaire for universal mounting. The installation using only 3 parts is kept simple.

Applicable for maintained or non-maintained operation mode. The toolless change and variable use of the pictograms provide planning security. Universal pictogram set (left, right, up, down) included. Exit sign according to EN 60598-1, EN 605982-22 and EN 1838 norms.



More information



## TECHNICAL DATA

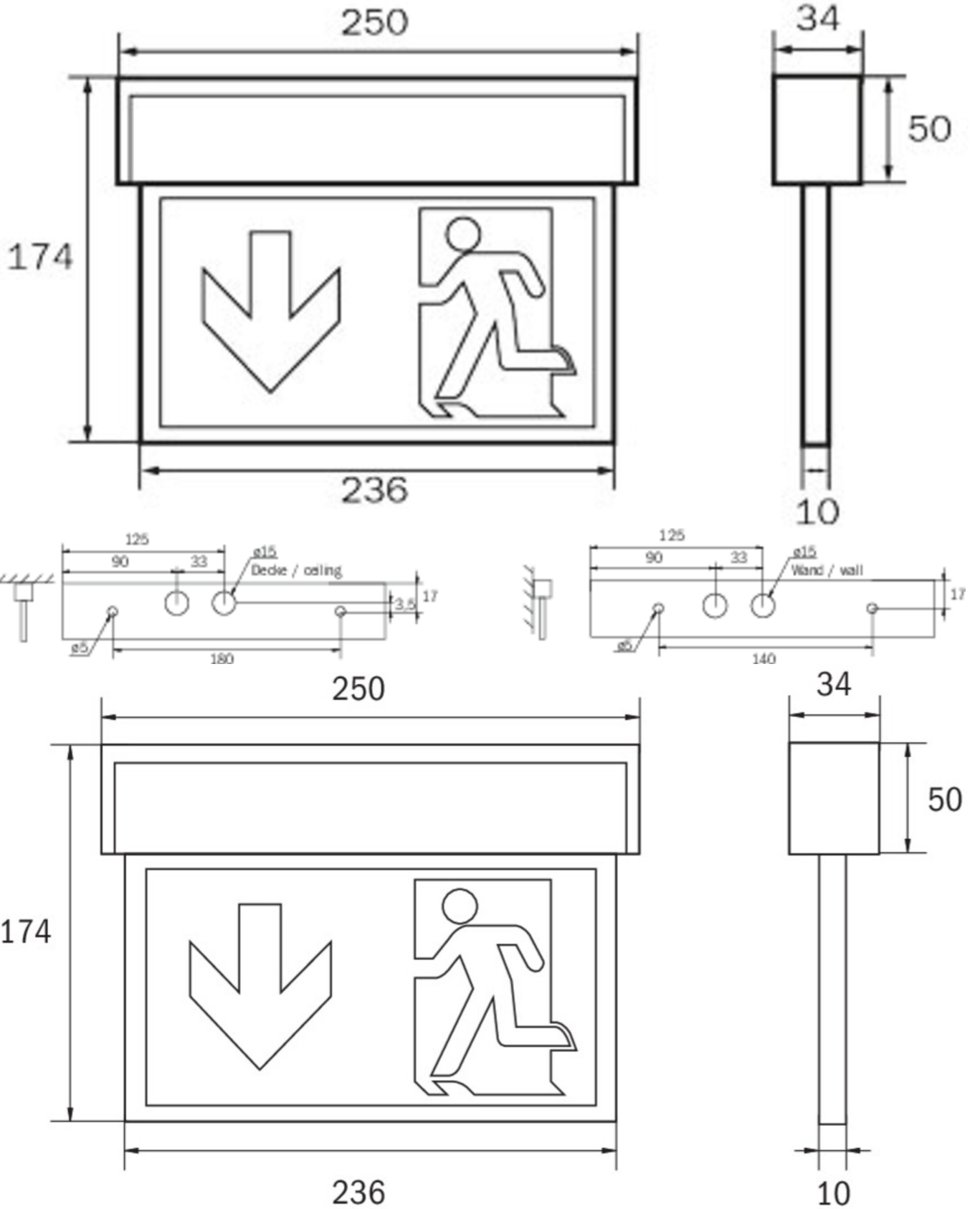
|                        |                                 |
|------------------------|---------------------------------|
| Luminaire type         | Exit sign                       |
| Mounting               | Universal                       |
| Recognition distance   | 22 m                            |
| Pictograph             | Set                             |
| Illuminant             | LED                             |
| Housing material       | Plastic                         |
| Housing color          | white                           |
| Protection type (IP)   | IP54                            |
| Impact resistance (IK) | ≥ 3                             |
| Certification          | Waste disposal, CE, CNBOP, ENEC |
| Insulation class       | 2                               |
| Supply                 | Central power supply            |
| Monitoring             | ML                              |
| Bridging time          | Central power supply            |
| Operating mode         | single luminaire switching      |
| Input voltage AC       | 230 V                           |
| Input frequency        | 50 / 60 Hz                      |
| Input voltage DC       | 216 V                           |
| Power max.             | 3,2 W                           |
| Power DS               | 3,2 W                           |
| Power BS               | 1 W                             |



|                          |                     |
|--------------------------|---------------------|
| Depth                    | 34 mm               |
| Width                    | 250 mm              |
| Height                   | 174 mm              |
| Weight                   | 0.62                |
| Weight incl. packaging   | 0.7                 |
| Connection cross-section | 2.5 mm <sup>2</sup> |
| Switching input          | No                  |
| Emergency light blocking | No                  |
| Battery connection       | No                  |
| Dimming function         | Yes                 |
| Luminous flux mains      | 220 lm              |
| Luminous flux emergency  | 220 lm              |
| Customs tariff number    | 94056120            |
| Country of origin        | DEUTSCHLAND         |
| EAN                      | 4260349829588       |



TECHNICAL DRAWING





## ACCESSORY LIST

KME-EB -  
 AWKSU -  
 2PW-EB -  
 KMBE -  
 BALLPLX-KMU -  
 DSA -  
 KSE-MB-WS -  
 KSE-MB-SI -

## RELATED PRODUCTS

| Art.-No. | Image                                                                               | Monitoring     | Supply               | Color | Investment | Automatic log | Maintenance level | Remote maintenance | max. luminaires | Single luminaire monitoring |
|----------|-------------------------------------------------------------------------------------|----------------|----------------------|-------|------------|---------------|-------------------|--------------------|-----------------|-----------------------------|
| KSU519CC |  | CoreCompact 24 | Central power supply |       | €€         | Yes           | low               | Yes                |                 | central                     |

As of: 02.07.2024 - Subject to technical changes and errors.