



**Art.-Nr: KWIW423SC-OP-TT**  
**Safety luminaire Supply**  
**Universal, SelfControl, 3 h, , IP65, Plastic, white**

Classic bar-shaped polycarbonate luminaire for wall or ceiling mounting. Straight lines as well as the robust construction with a high ingress protection allow versatile use.

Pictograms according to DIN EN ISO 7010 and DIN ISO 3864 (left, right, above, below) are included as standard in the scope of delivery.



More information



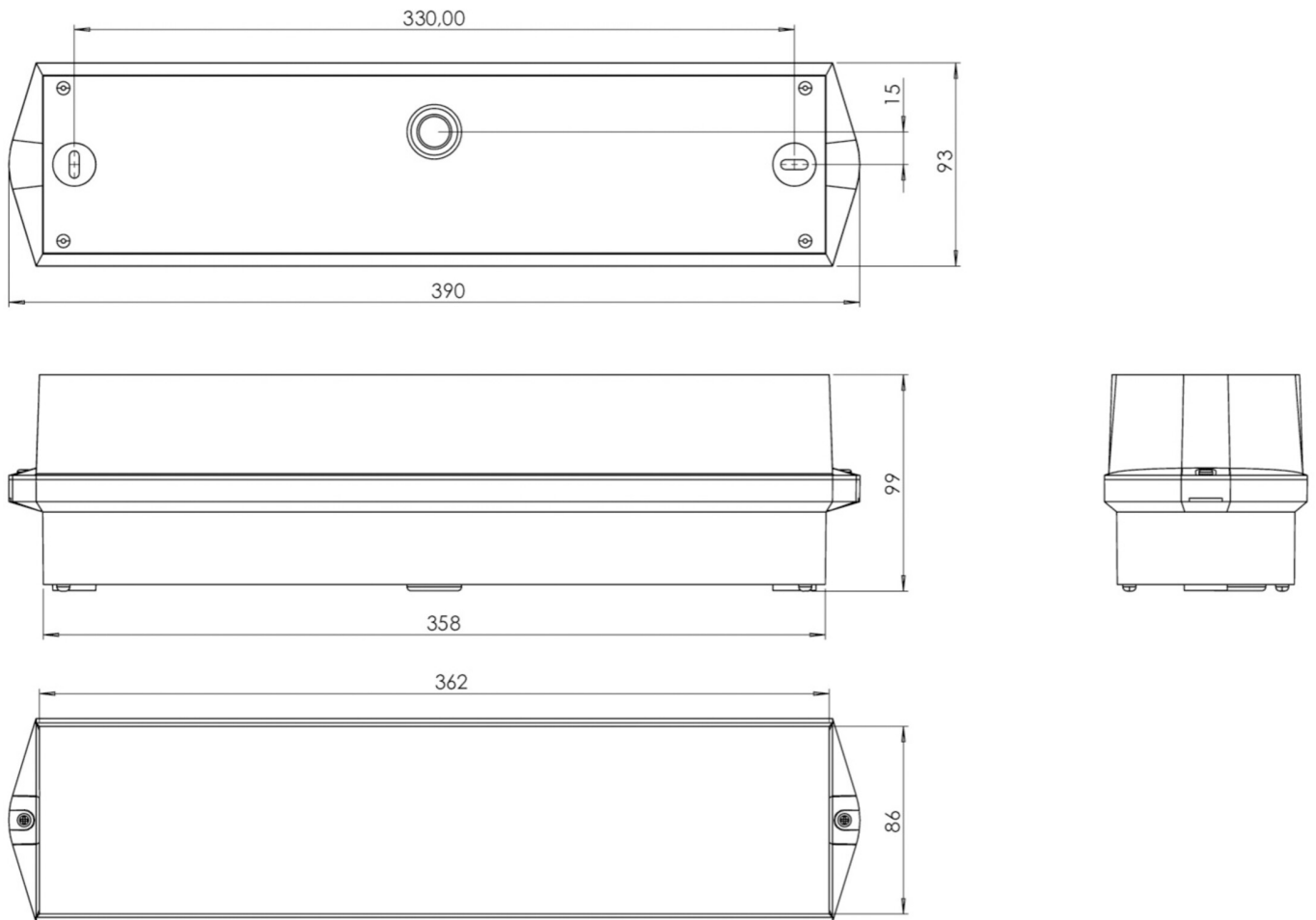
## TECHNICAL DATA

Luminaire type	Safety luminaire
Mounting	Universal
Pictograph	No
Illuminant	LED
Housing material	Plastic
Housing color	white
Protection type (IP)	IP65
Impact resistance (IK)	6
Certification	CE, WEEE, D-Sign
Insulation class	2
Monitoring	SelfControl
Bridging time	3 h
Power max.	6,7 W
Power DS	5,4 W
Power BS	0,9 W
Ambient temperature DS	-15 °C - 40 °C
Ambient temperature BS	-15 °C - 40 °C
Depth	86 mm
Width	390 mm
Height	99 mm
Weight	0.7
Weight incl. packaging	0.8



Luminous flux mains	500 lm
Luminous flux emergency	500 lm
EAN	4260766558252

## TECHNICAL DRAWING



## ACCESSORY LIST

BKW -

As of: 10.07.2024 - Subject to technical changes and errors.