



Art.-Nr: PMD403WL
Exit sign Single Battery
Recessed mounting, Wireless Professional (WL), 3 h, 20 m,
IP65, Plastic, white

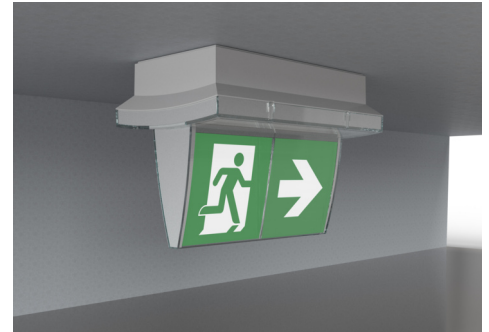
Plastic emergency exit sign luminaire with trapezoid surround.

To help with mounting, levelling screws are integrated to compensate for uneven surfaces.

The luminaire can be mounted by fitting on the wall and ceiling as well as fitting in the ceiling in conjunction with the mounting frame available.

The set of pictograms is inserted on the inside and secured without the use of solvents.

Wireless central control and monitoring for large installations of up to 50,000 luminaires with Wireless Professional. The set of pictograms (MTL, MTR and 2 straight arrows) is supplied as standard.



More information

www.rp-group.com/en/item/PMD403WL



TECHNICAL DATA

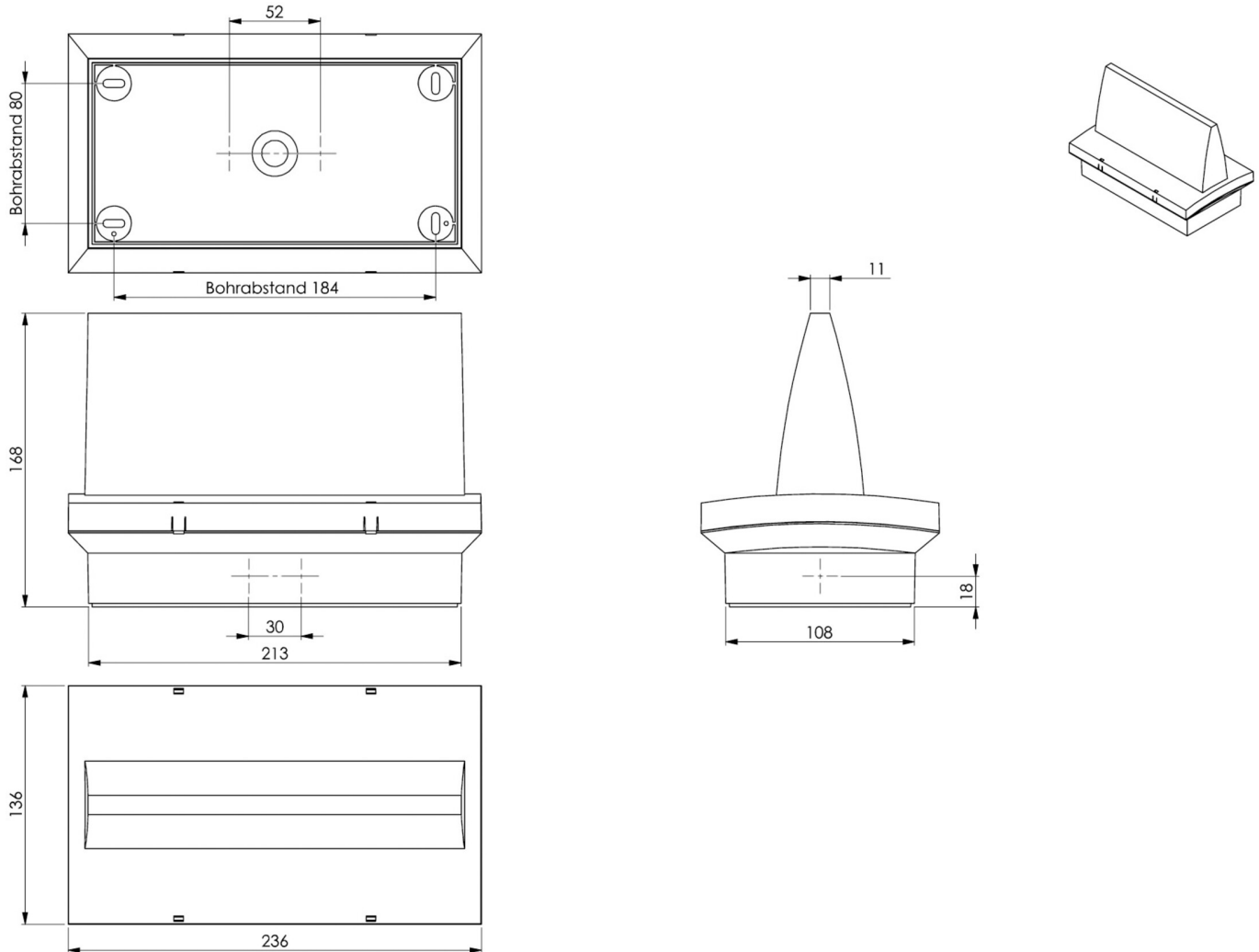
| | |
|------------------------|-------------------------------------|
| Luminaire type | Exit sign |
| Mounting | Recessed mounting |
| Recognition distance | 20 m |
| Pictograph | Set |
| Illuminant | LED |
| Housing material | Plastic |
| Housing color | white |
| Protection type (IP) | IP65 |
| Impact resistance (IK) | ≥ 3 |
| Certification | WEEE, CE, D-Sign |
| Insulation class | 2 |
| Supply | Single Battery |
| Monitoring | Wireless Professional (WL) |
| Bridging time | 3 h |
| Battery | LiFePO4 6,4 V/1,6 Ah |
| Operating mode | Standby circuit / permanent circuit |




| | |
|--------------------------|---------------------|
| Input voltageAC | 230 V |
| Input frequency | 50 Hz |
| Power max. | 3,8 W |
| Power DS | 2,9 W |
| Power BS | 0,8 W |
| Ambient temperature DS | -5 °C - 40 °C |
| Ambient temperature BS | -5 °C - 40 °C |
| Depth | 168 mm |
| Width | 236 mm |
| Height | 136 mm |
| Weight | 0.97 |
| Weight incl. packaging | 1.07 |
| Connection cross-section | 2.5 mm ² |
| Switching input | Yes |
| Emergency light blocking | Yes |
| Battery connection | Connector |
| Dimming function | Yes |
| Customs tariff number | 94056120 |
| EAN | 4260682158963 |



TECHNICAL DRAWING



RELATED PRODUCTS

| Art.-No. | Image | Monitoring | Supply | Color | Investment | Automatic log | Maintenance level | Remote maintenance | max. luminaires | Single luminaire monitoring |
|----------|---|------------------|----------------|----------|------------|---------------|-------------------|--------------------|-----------------|-----------------------------|
| PMD003SC |  | SelfControl (SC) | Single battery | RAL 9003 | € | no | high | no | unlimited | itself |

As of: 11.10.2024 - Subject to technical changes and errors.