



Art.-Nr: WEF423SC
Safety luminaire Supply
Recessed wall mounting, SelfControl, 3 h, , IP20, Zinc die-cast, white

LED emergency luminaire for wall installation and for the lighting of escape and rescue routes according to DIN EN 60598-1, DIN EN 60598-2-22 and DIN EN 1838. The discreet recessed luminaire is designed for installation in conventional double jacks. The mounting frame can be aligned with the jack. The zinc-aluminum cover is attached without externally visible fastening. Through the status LED which is incorporated in the lens the harmony of the housing is not interrupted.



More information



TECHNICAL DATA

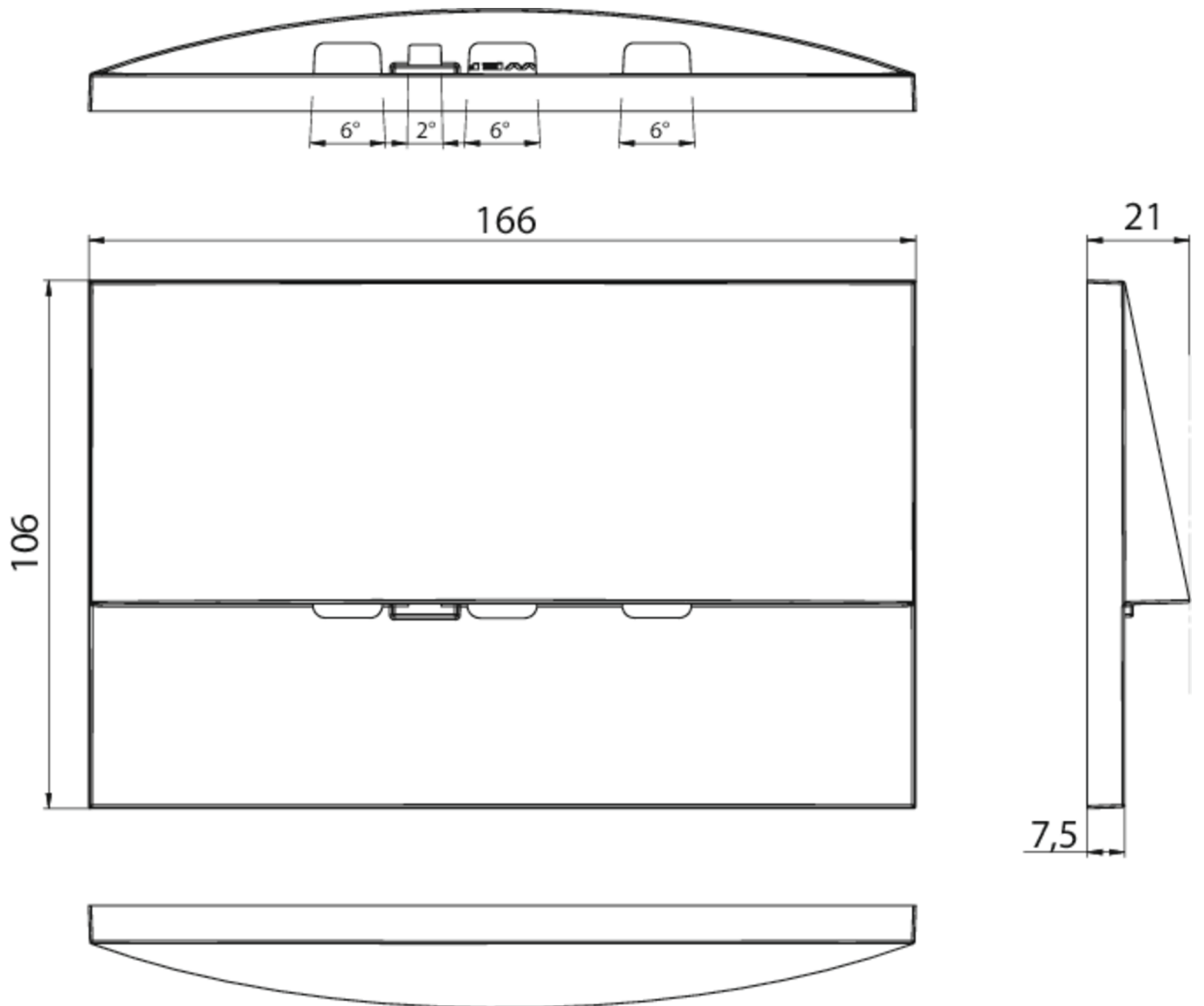
| | |
|------------------------|---|
| Luminaire type | Safety luminaire |
| Mounting | Recessed wall mounting |
| Pictograph | No |
| Illuminant | LED |
| Housing material | Zinc die-cast |
| Housing color | white |
| Protection type (IP) | IP20 |
| Impact resistance (IK) | 7 |
| Certification | WEEE, CE |
| Insulation class | 2 |
| Monitoring | SelfControl |
| Bridging time | 3 h |
| Battery | LiFePO4 - 2 pcs - 3,2 V /1200mAh LiFePO4 - Lithium Iron Phosphate Battery |
| Power max. | 3,7 W |
| Power DS | 2,9 W |
| Power BS | 0,9 W |
| Ambient temperature DS | -5 °C - 40 °C |
| Ambient temperature BS | -5 °C - 40 °C |
| Depth | 166 mm |



| | |
|-------------------------|---------------|
| Width | 21 mm |
| Height | 106 mm |
| Installation length | 155 mm |
| Installation width | 82 mm |
| Installation height | 70 mm |
| Weight | 0.63 |
| Weight incl. packaging | 0.66 |
| Luminous flux mains | 230 lm |
| Luminous flux emergency | 230 lm |
| Customs tariff number | 94056180 |
| EAN | 4260766556722 |



TECHNICAL DRAWING





ACCESSORY LIST

LFP3216-SET-2AKKU - LiFePO4 Battery

As of: 11.07.2024 - Subject to technical changes and errors.