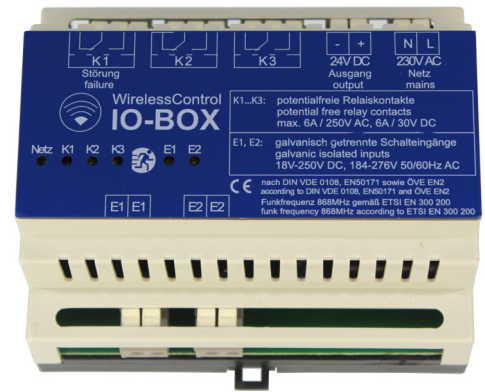




Art.-Nr: WLI032

The IO-box is an interface module of the automatic test and control system for emergency lighting Wireless Professional, whose inputs and outputs signalise states and conditions of and to the test and control system. The IO-box has 3 outputs in form of potential-free changeover contacts, of which contact 1 is used for a system disturbance combined fault indication. The other two contacts can be programmed by means of the Wireless Professional software, in order to signalise various system states.

Furthermore, there are 2 galvanically isolated switch inputs to integrate control and/or sensor signals of e.g. an external test pushbutton or a key switch.

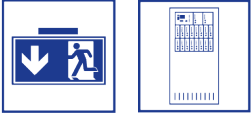


Plus d'informations

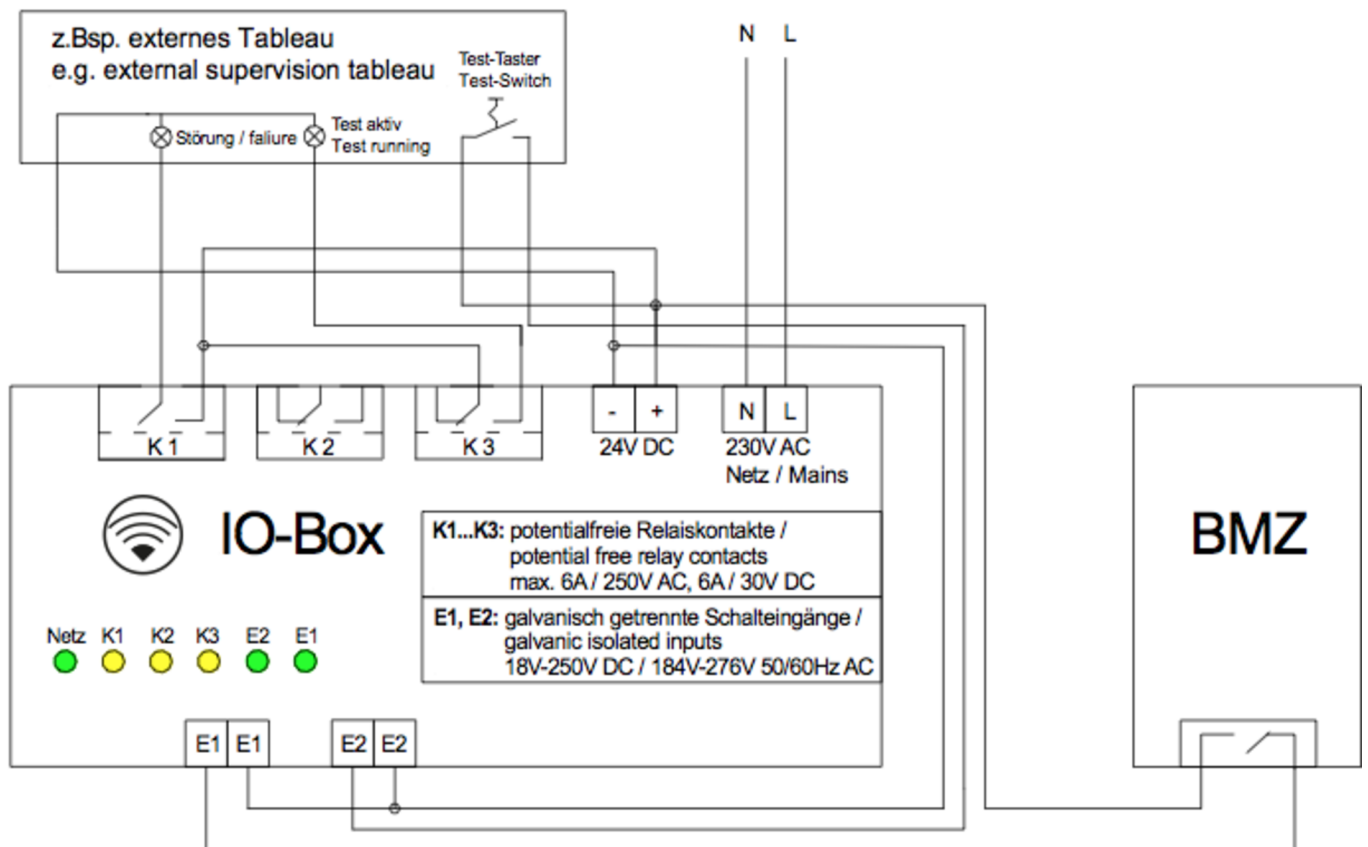
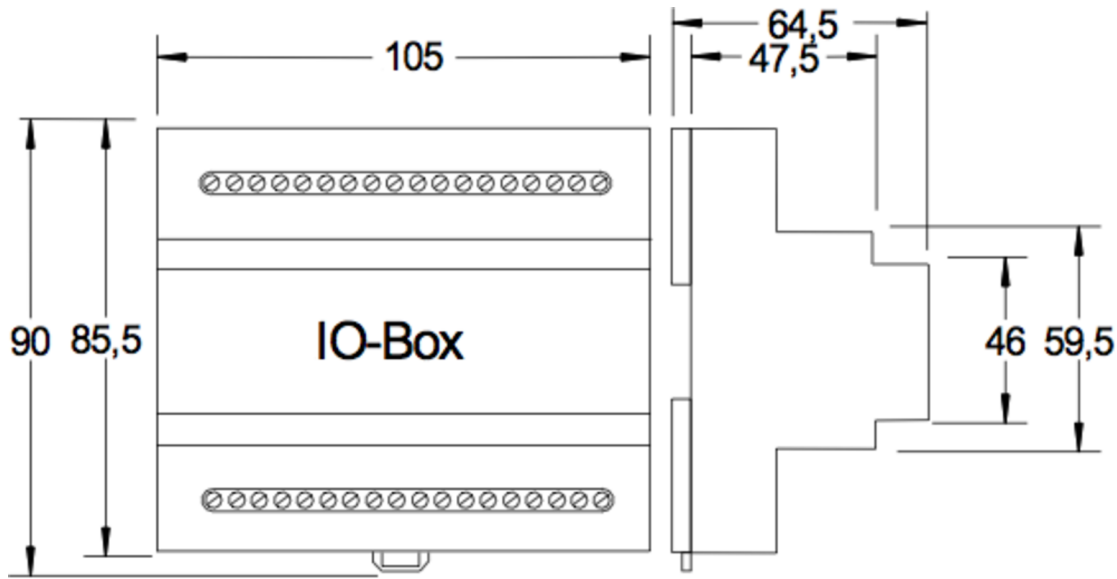
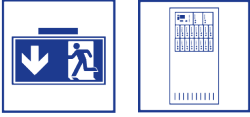


DONNÉES TECHNIQUES

Tension d'entréeAC	230 V V
Fréquence d'entrée	50 / 60 Hz
Profondeur	60 mm
Largeur	105 mm
Hauteur	85 mm
Poids	0.36 kg
Numéro du tarif douanier	85176200
Pays d'origine	DEUTSCHLAND



DESSIN TECHNIQUE



stand: 21.06.2024 - Sous réserve de modifications techniques et d'erreurs.